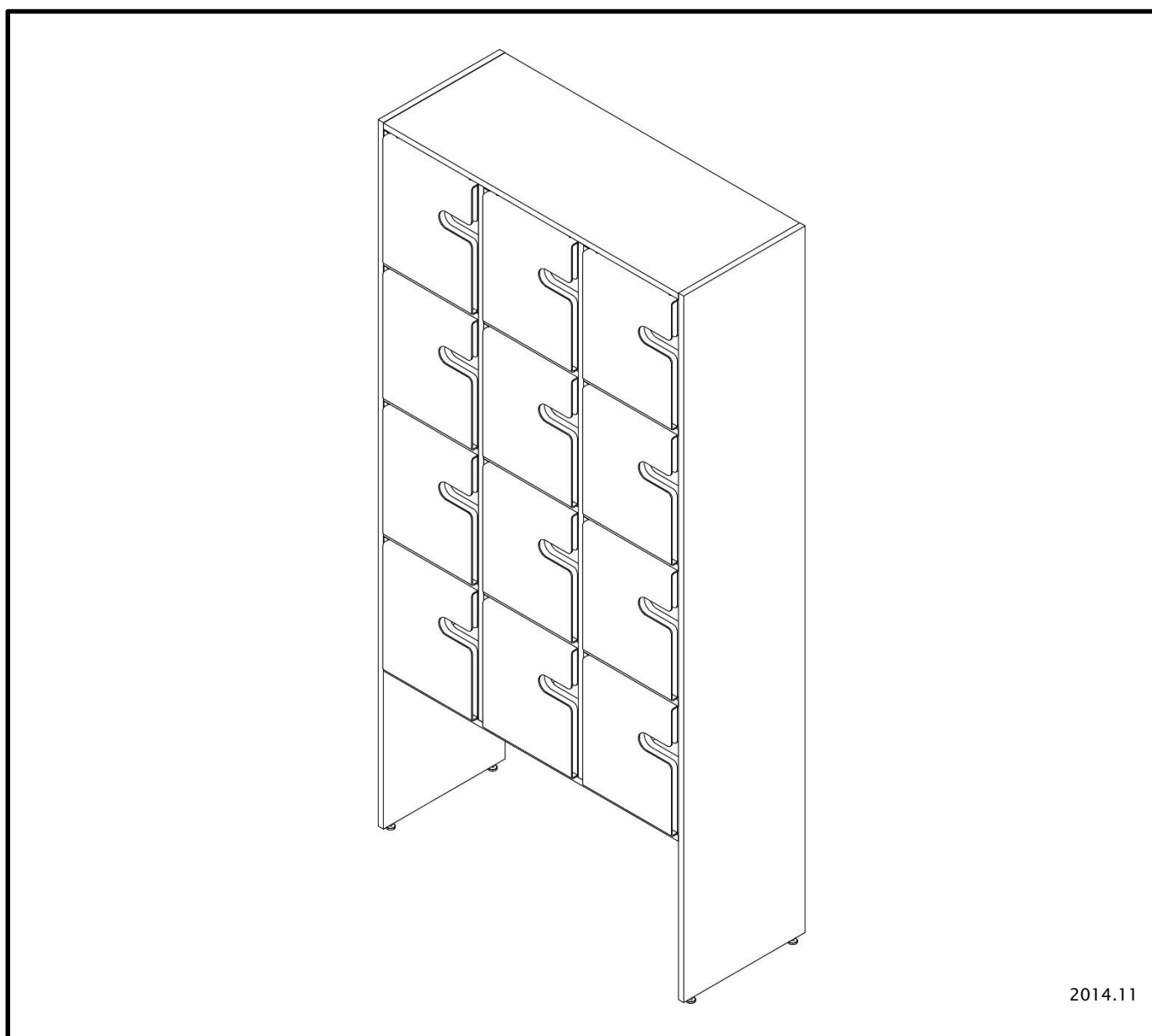


Assembly Guide

Showandstore 3x4



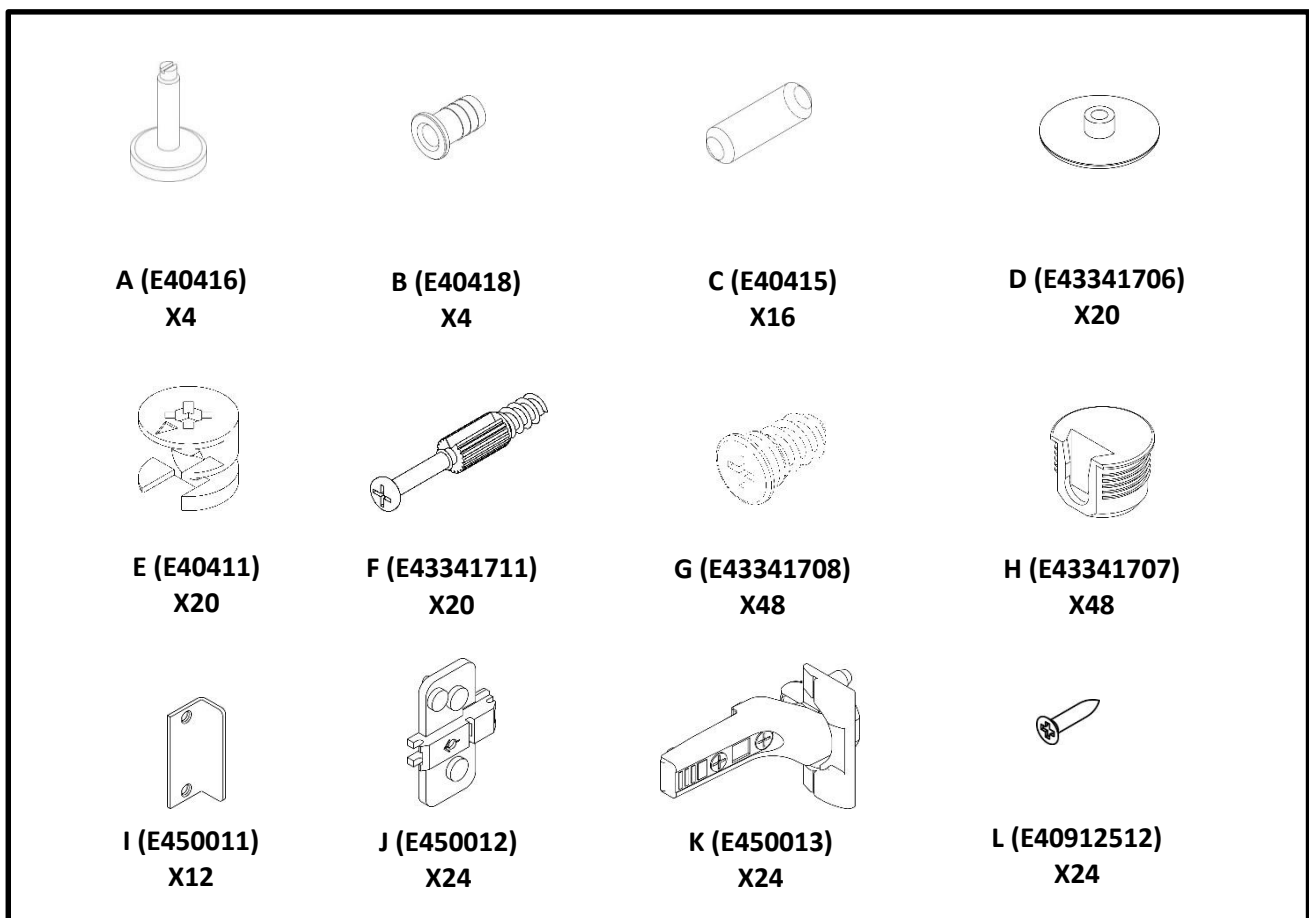
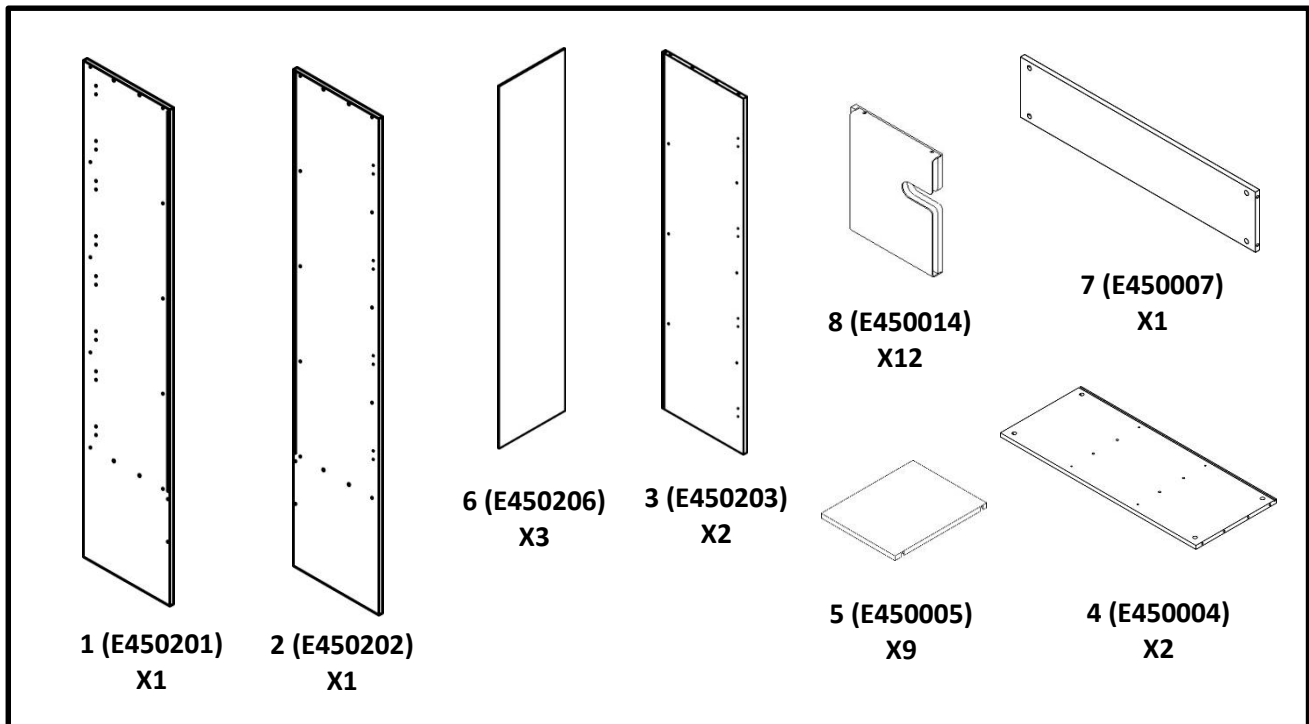
2014.11

First check the contents to make sure that nothing is missing. Sort out the screws and fittings as shown. Assemble your furniture step by step, as shown in the illustrations.

Kontrollera först innehållet. Sortera skruvar och beslag enligt anvisningen.
Montera möbelen i nummerordning och som bilderna visar.

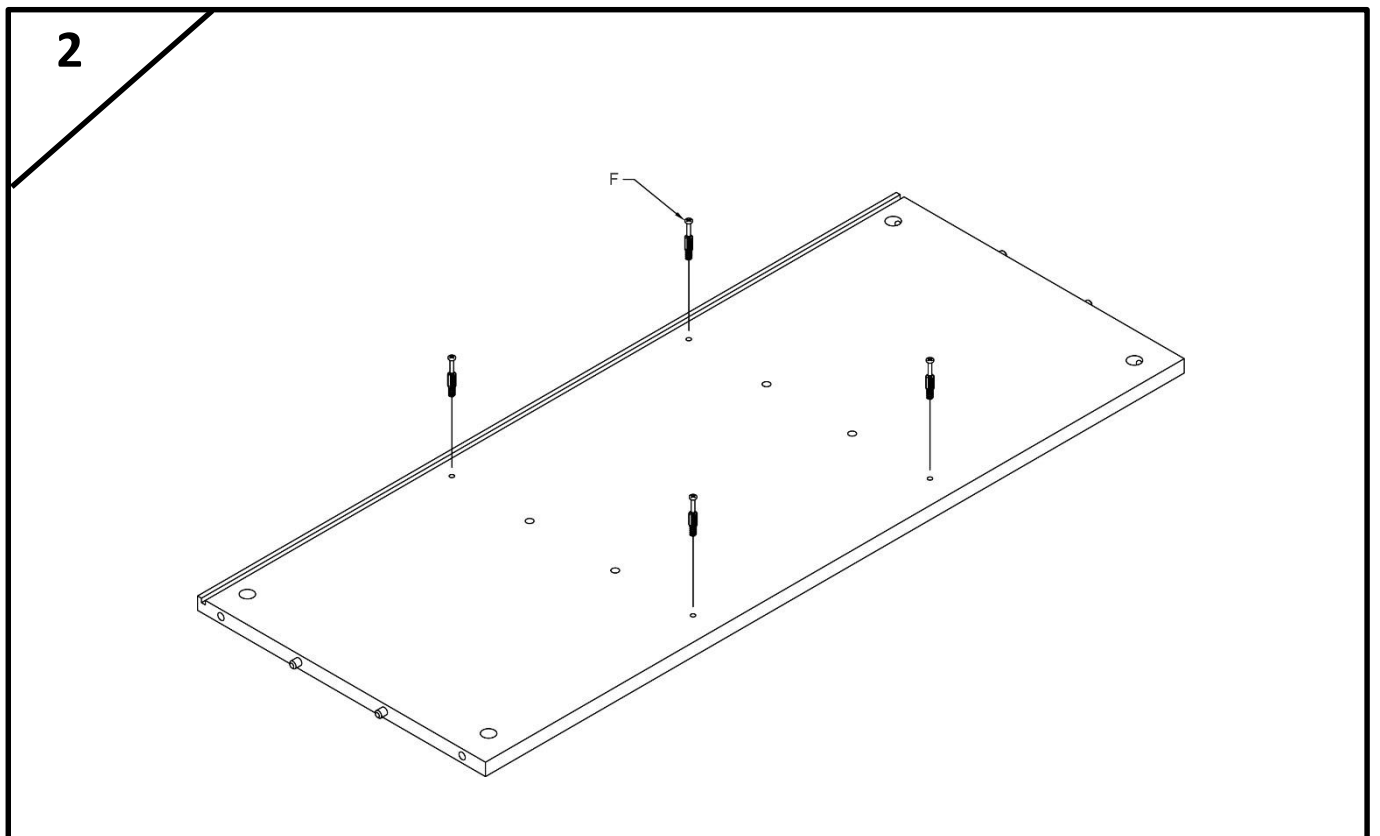
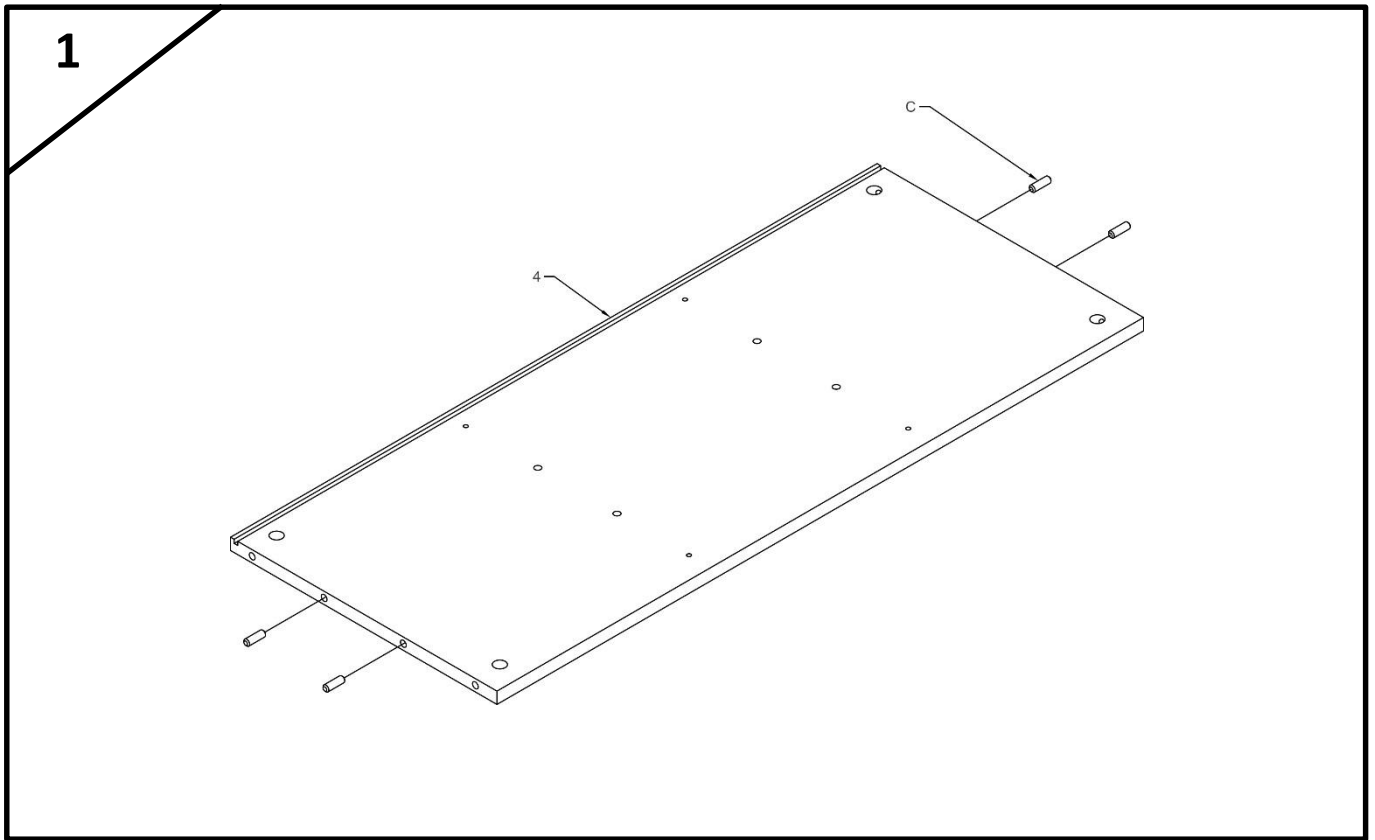
Assembly Guide

Showandstore



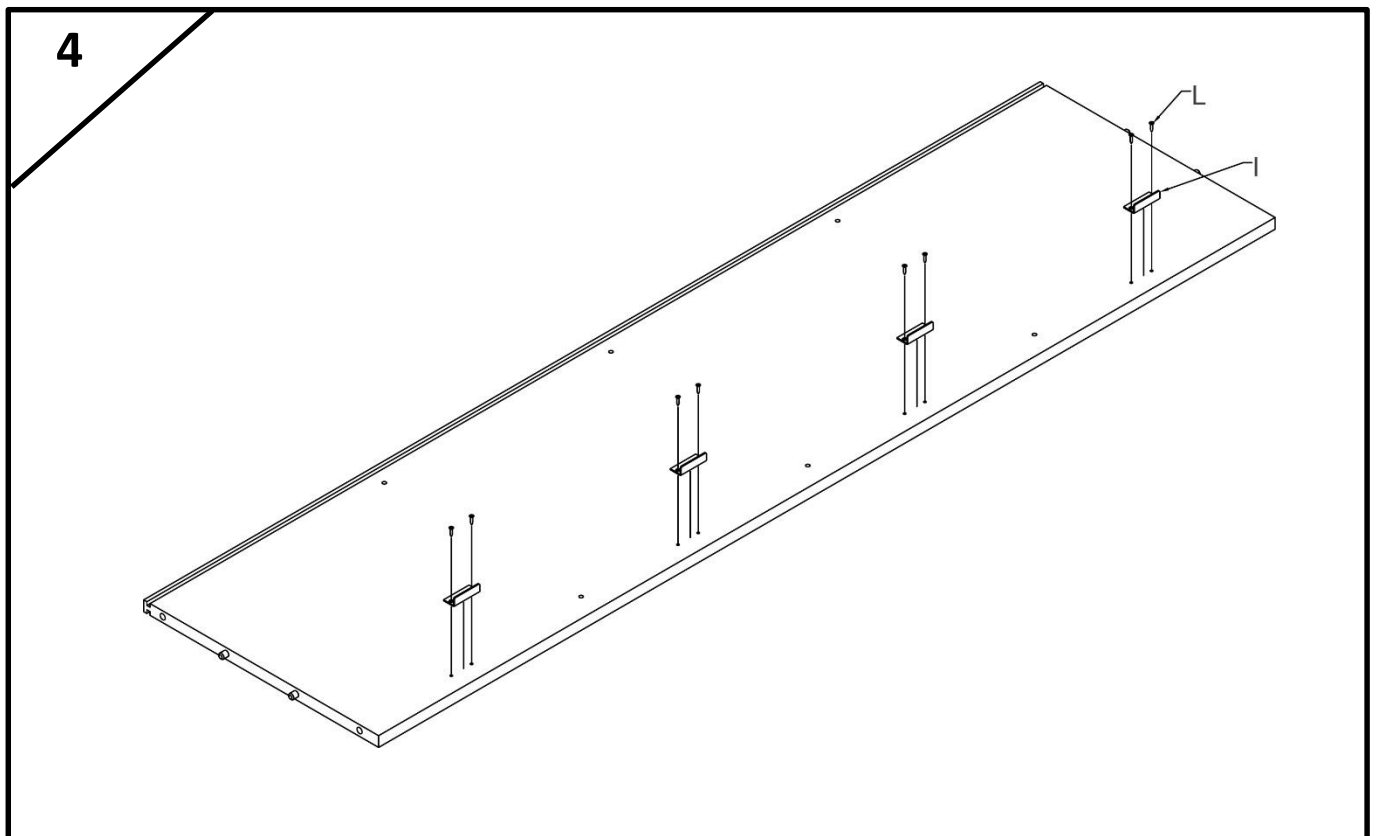
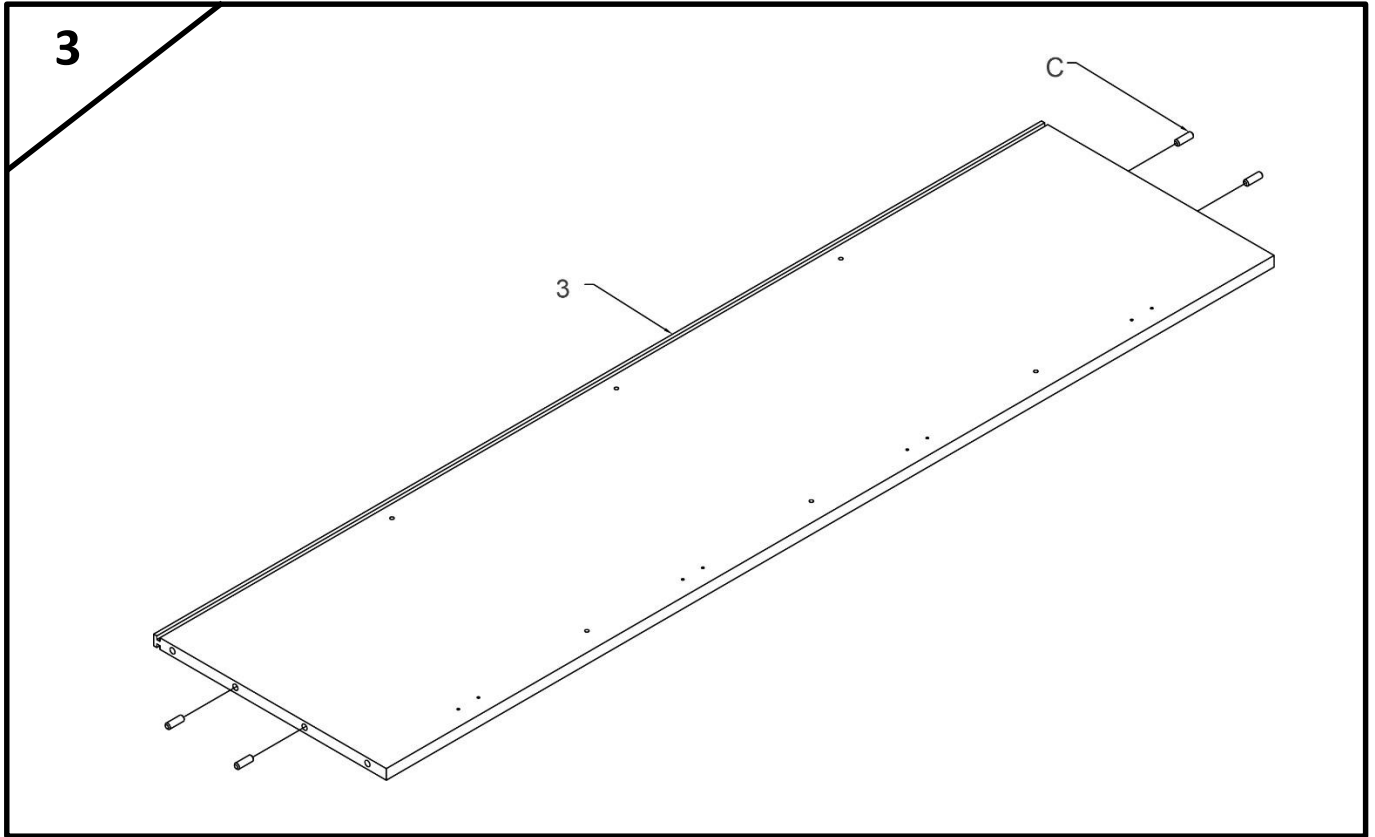
Assembly Guide

Showandstore



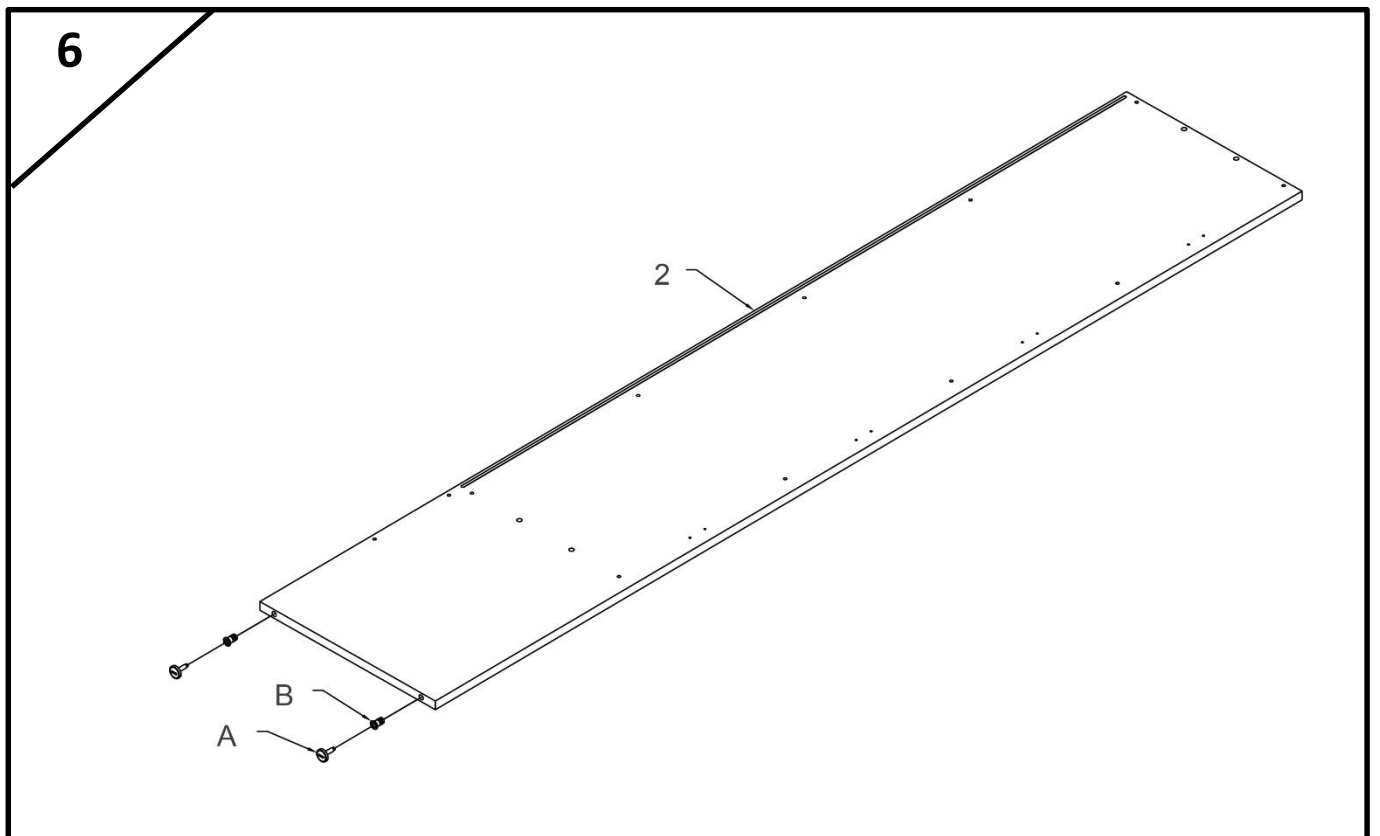
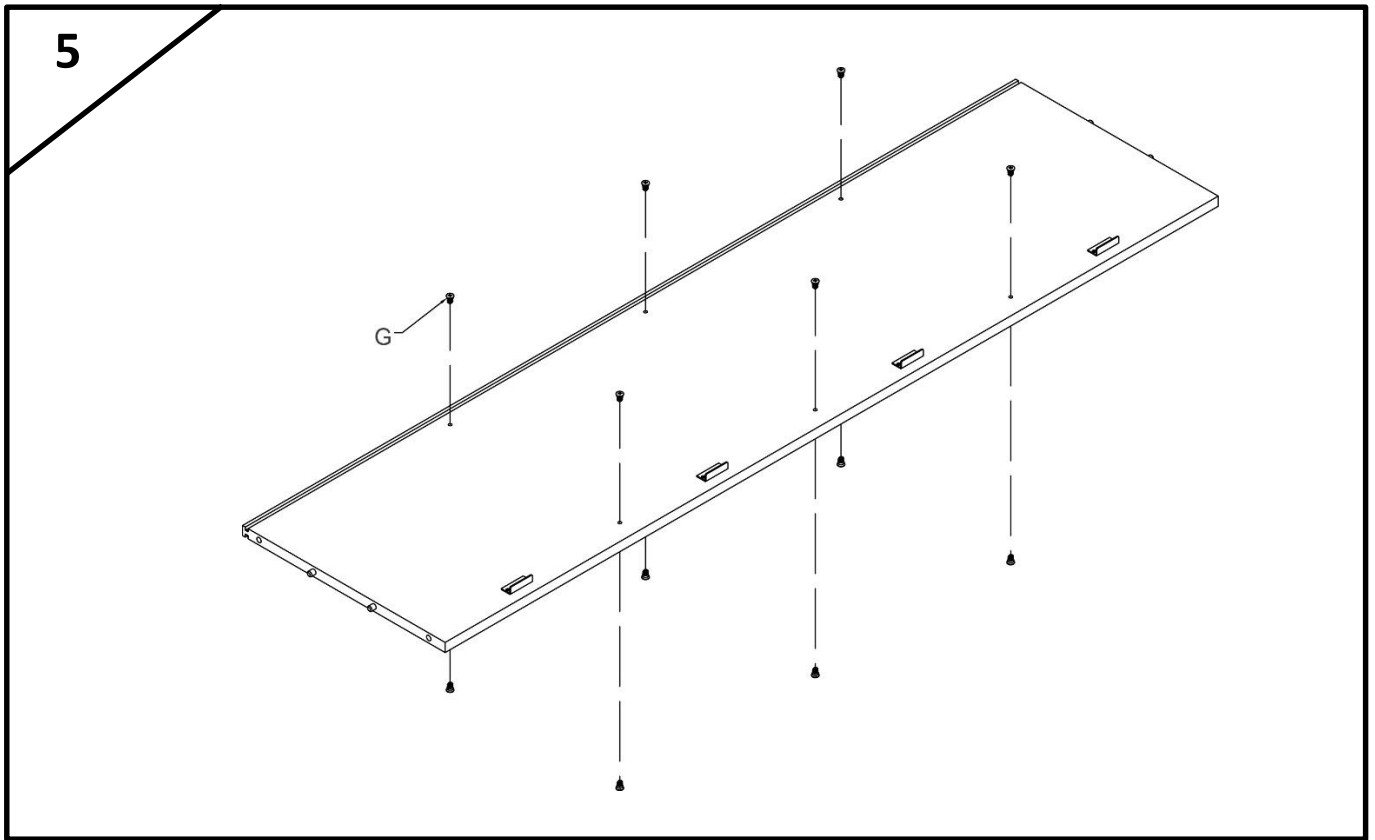
Assembly Guide

Showandstore



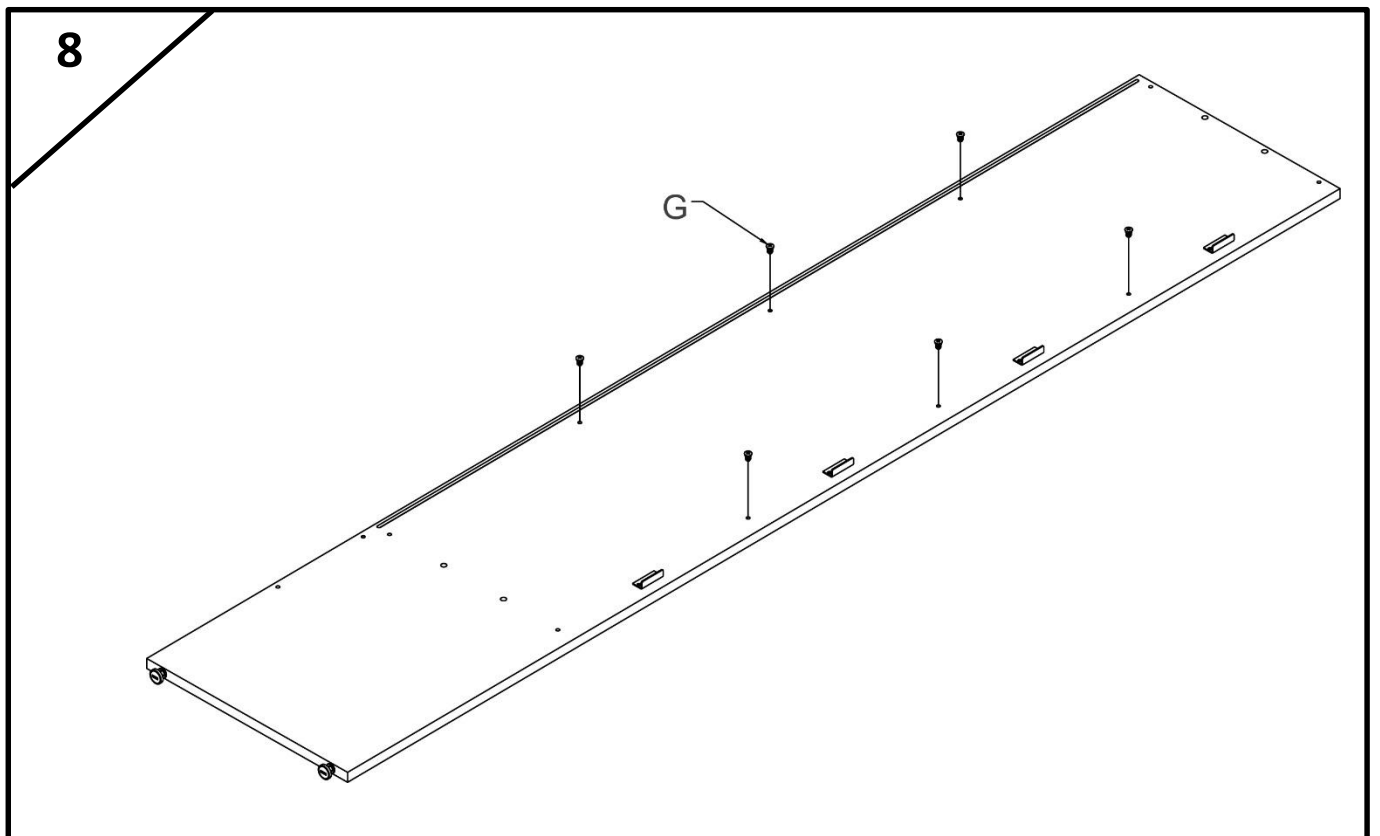
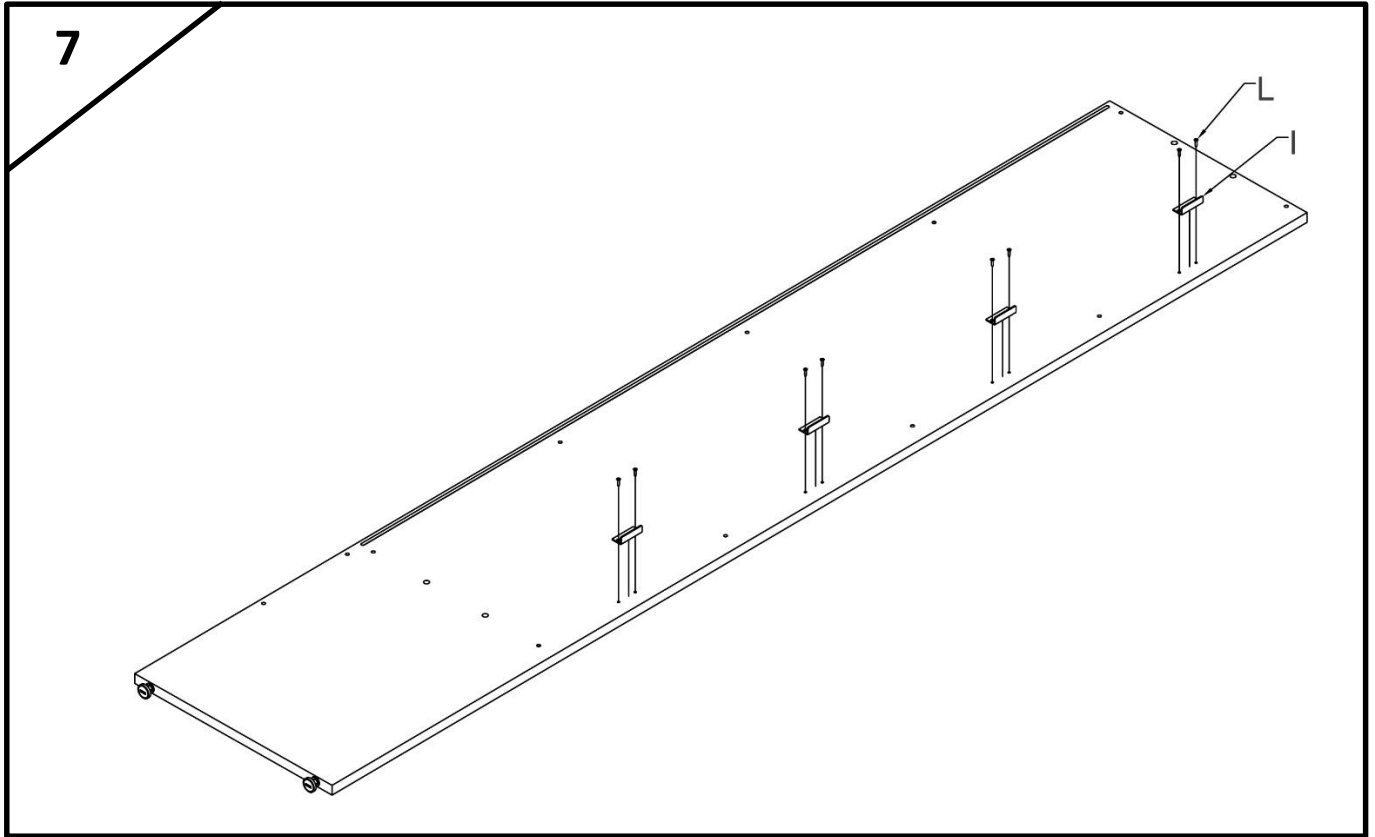
Assembly Guide

Showandstore



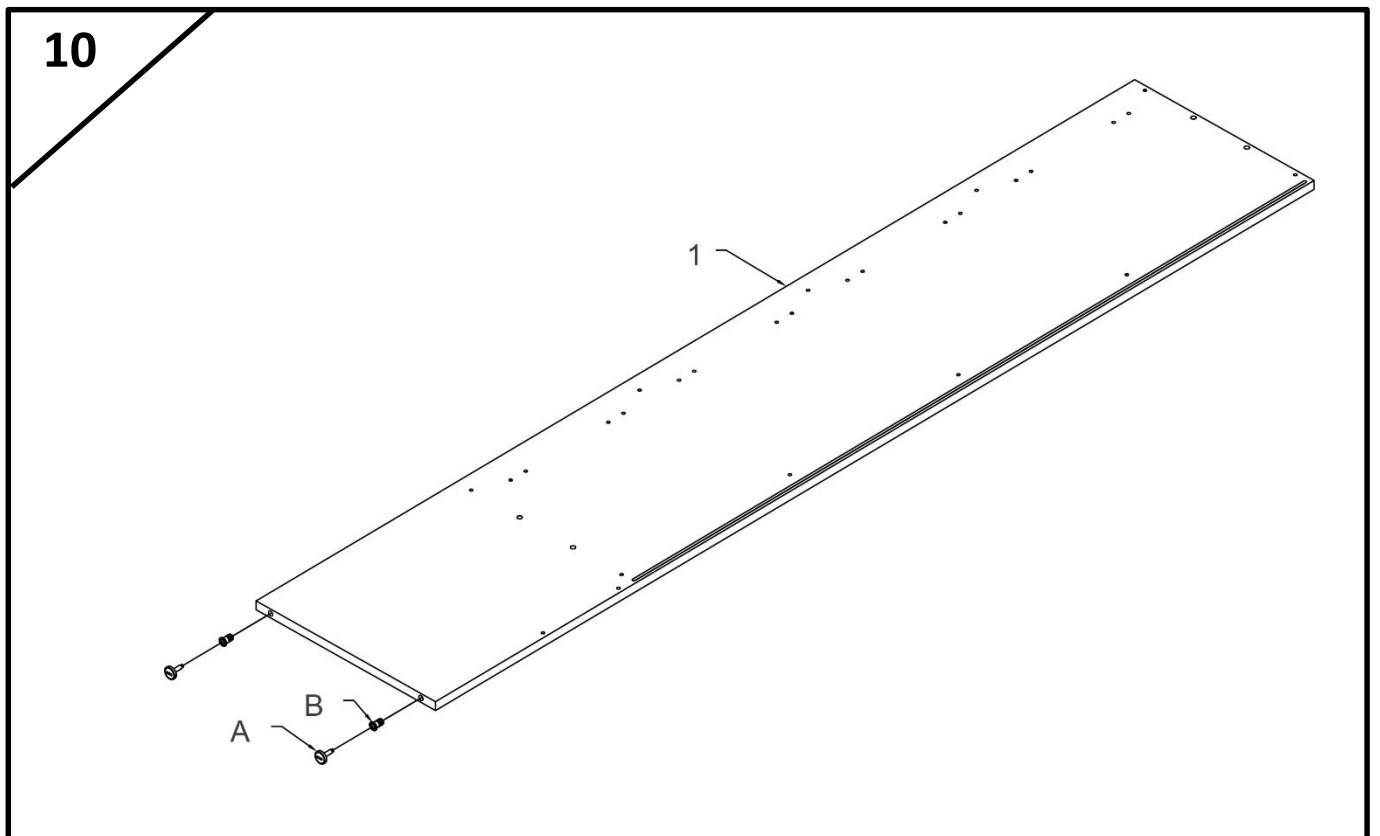
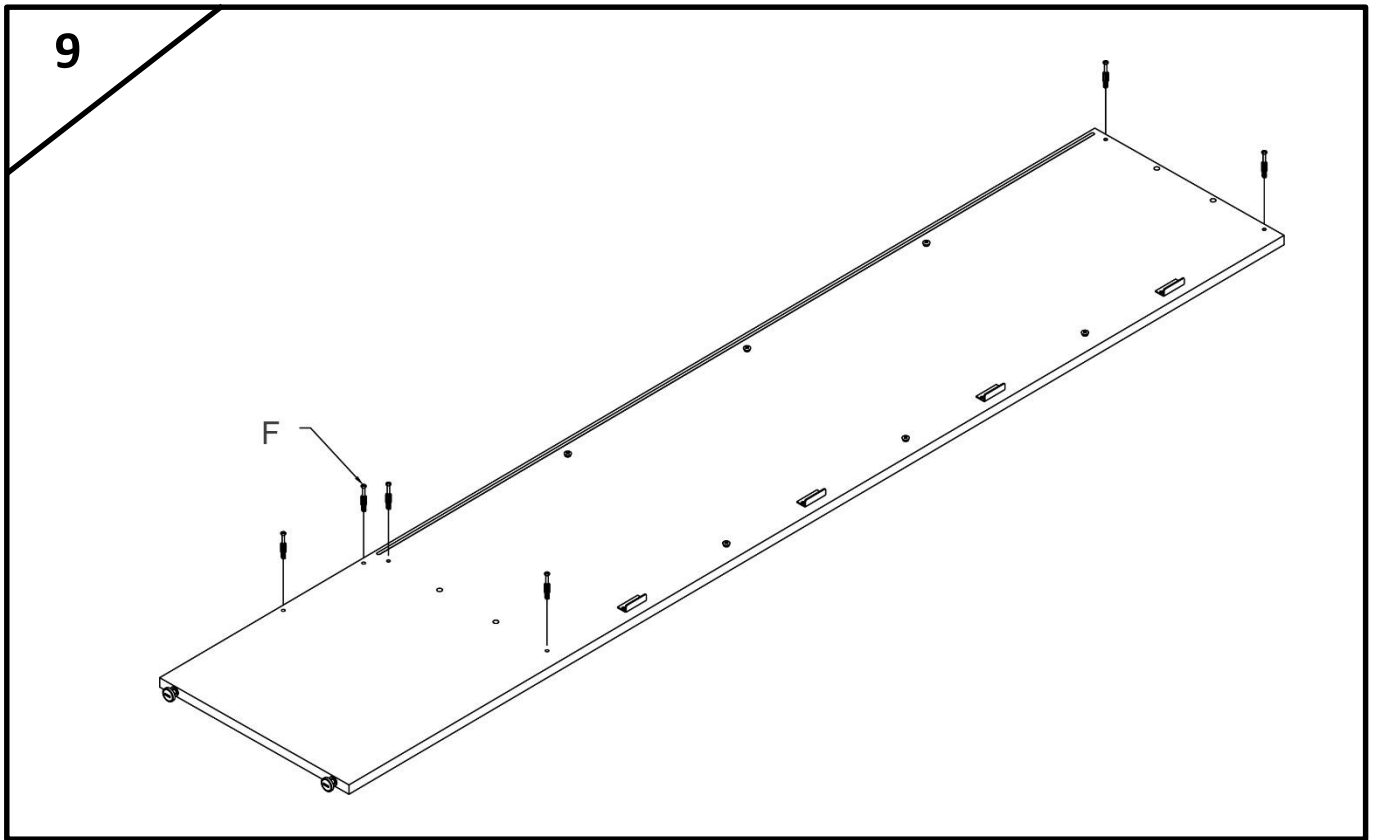
Assembly Guide

Showandstore



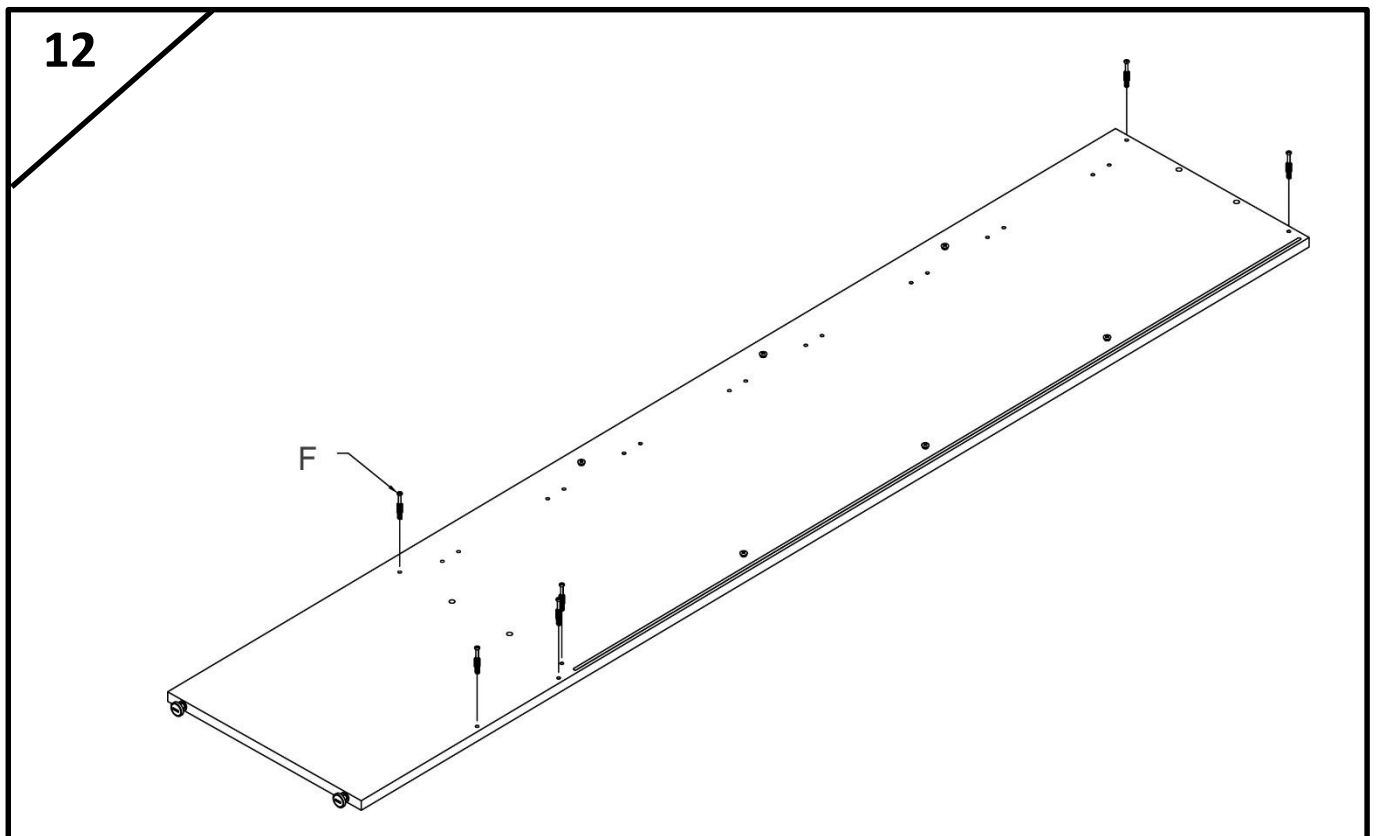
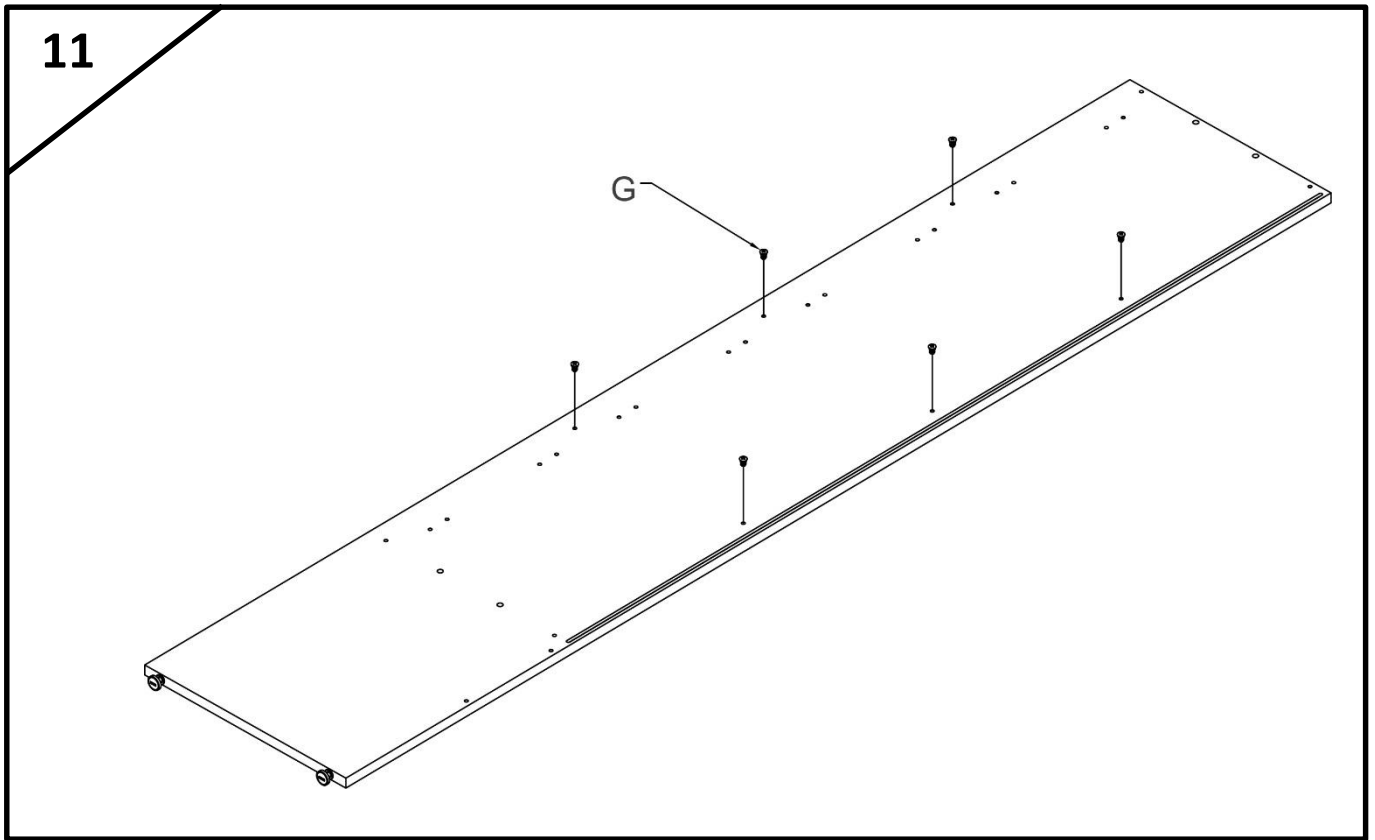
Assembly Guide

Showandstore



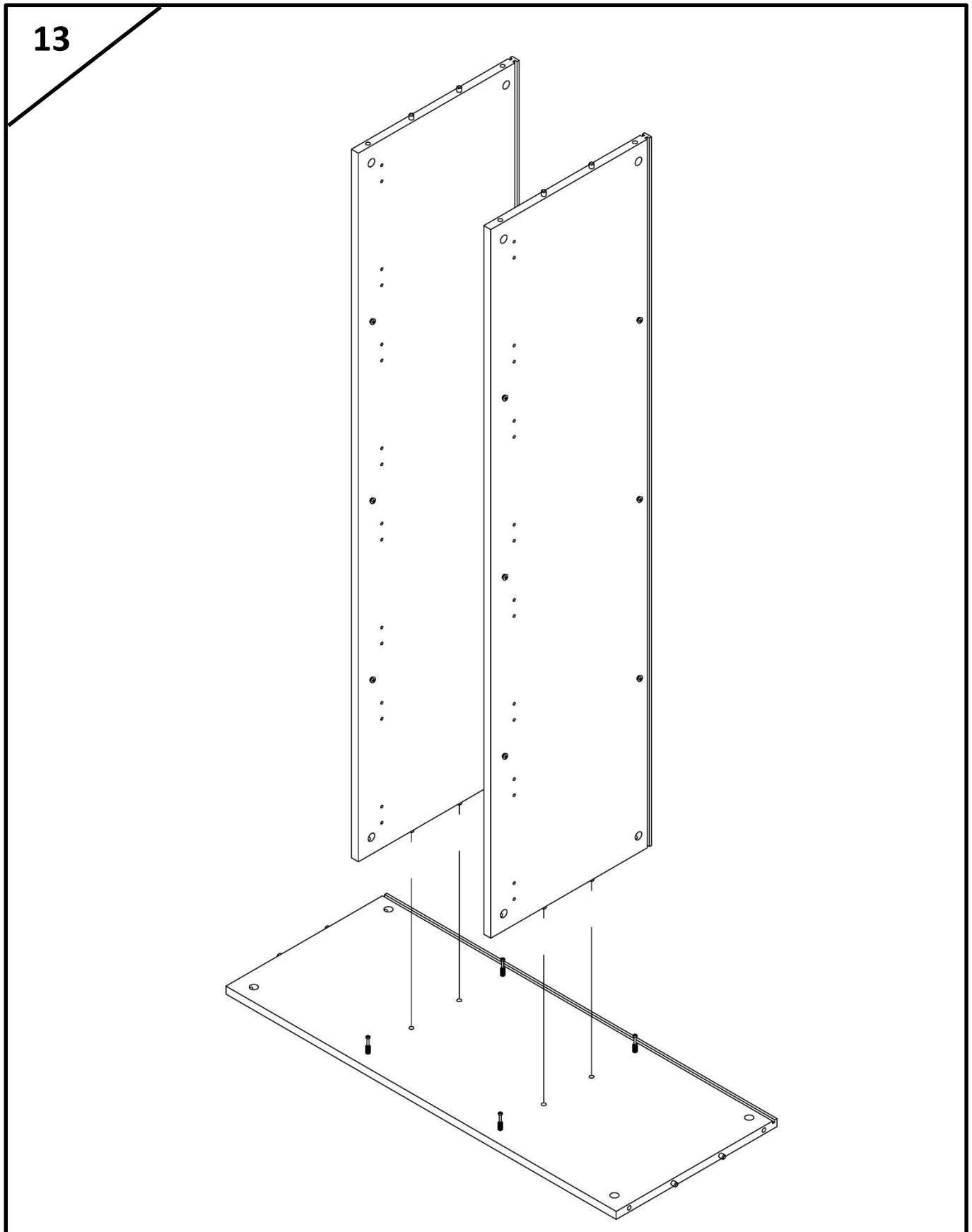
Assembly Guide

Showandstore



Assembly Guide

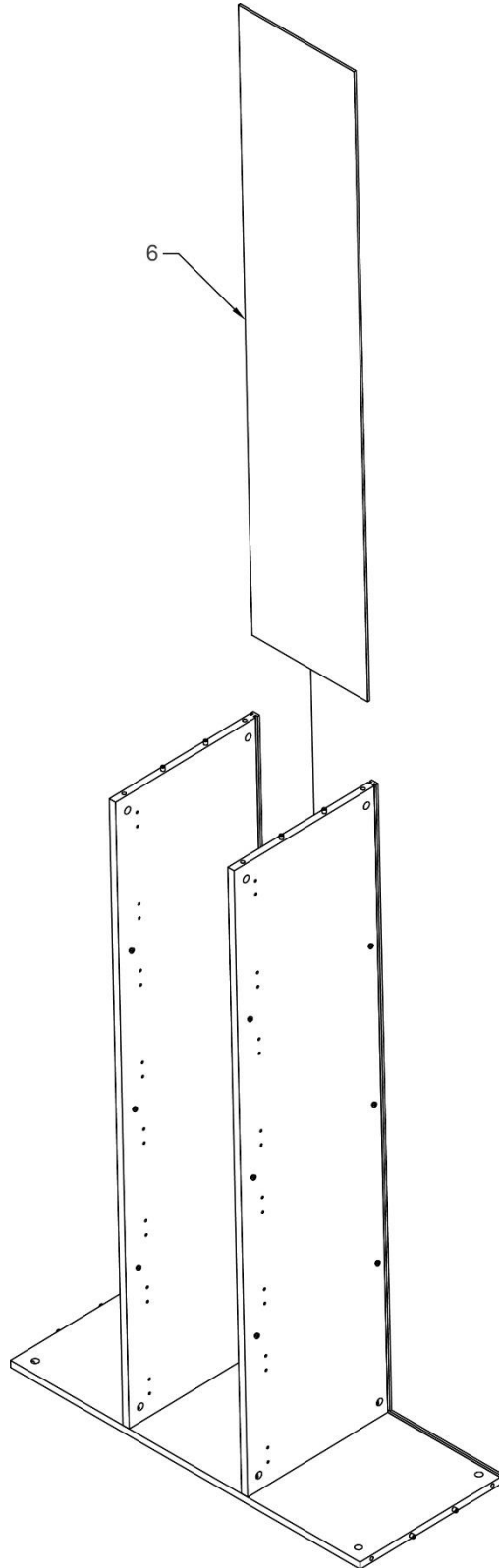
Showandstore



Assembly Guide

Showandstore

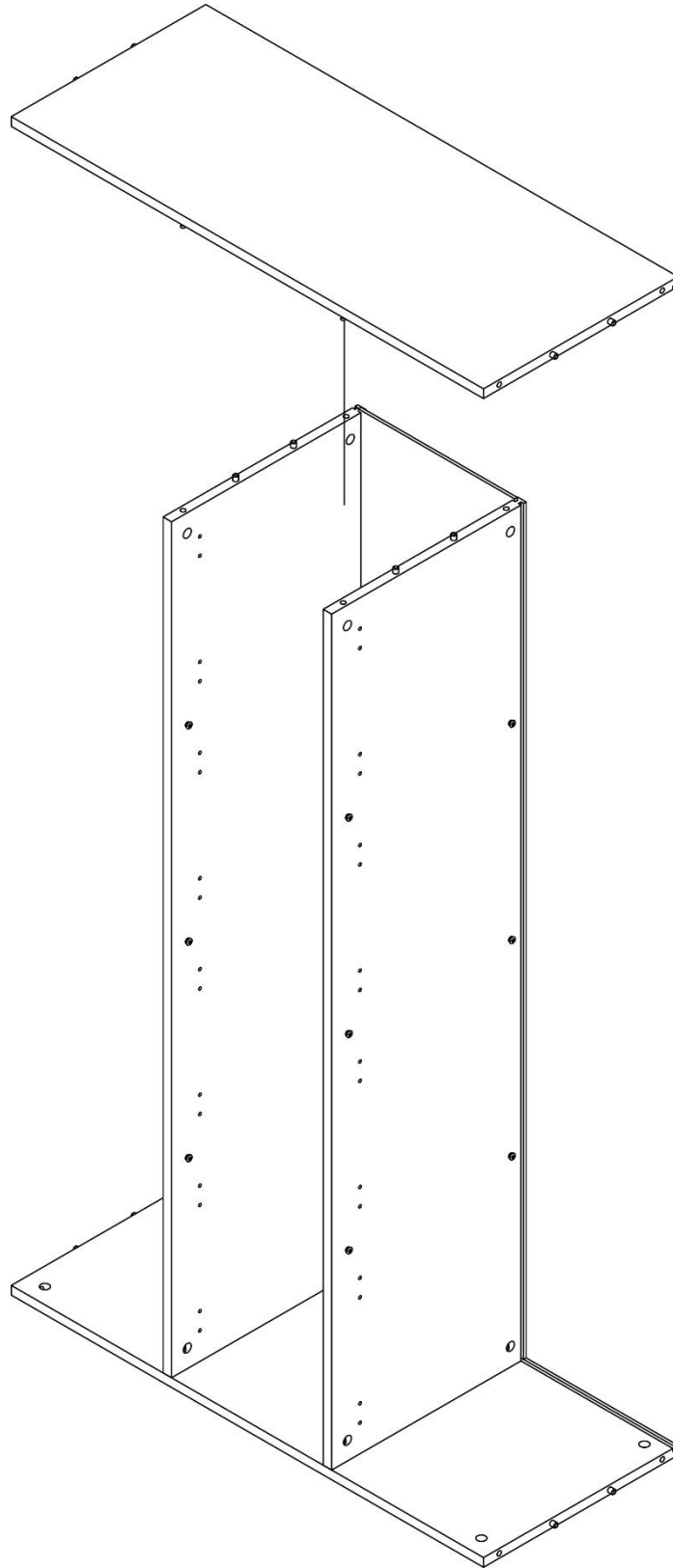
14



Assembly Guide

Showandstore

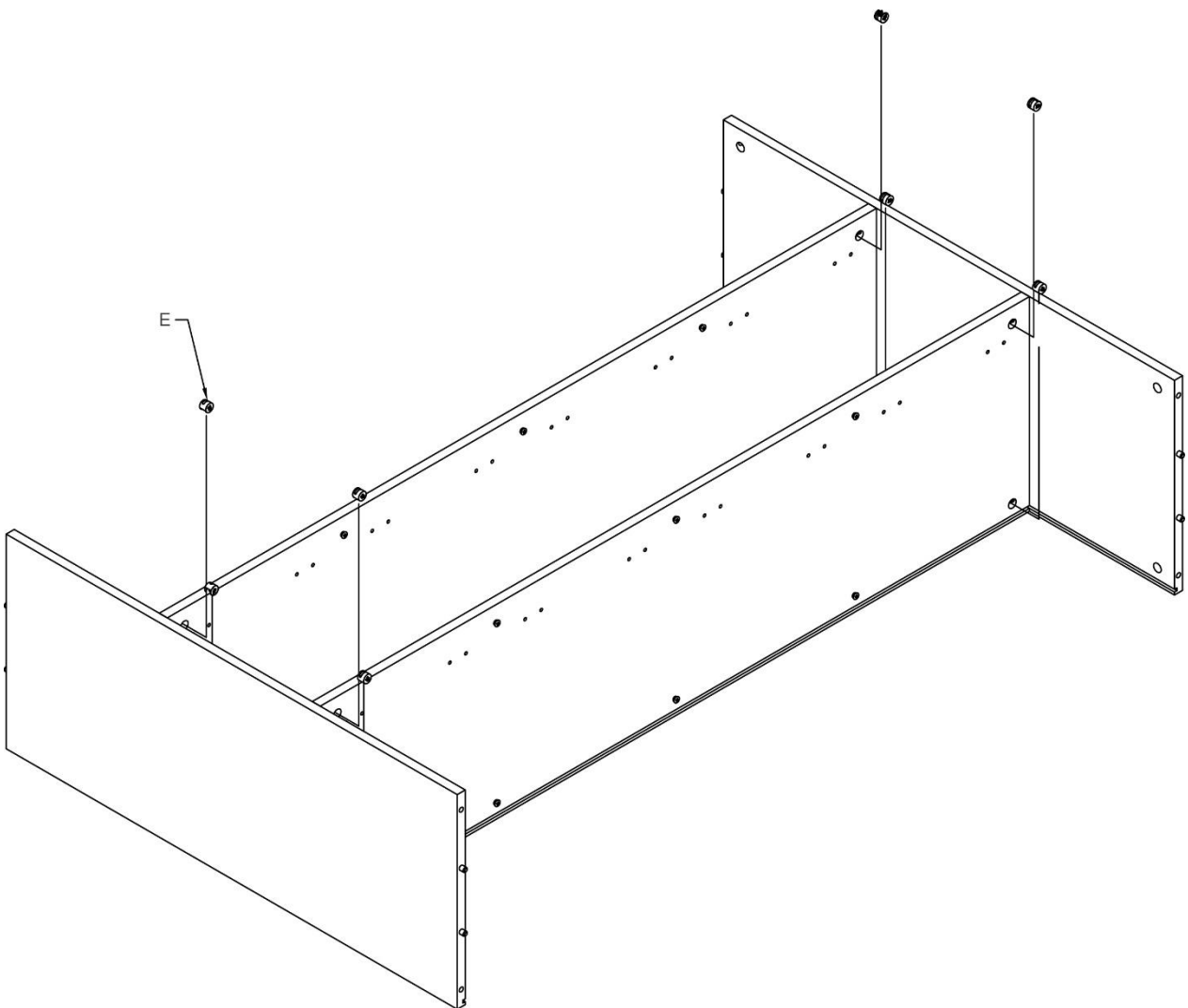
15



Assembly Guide

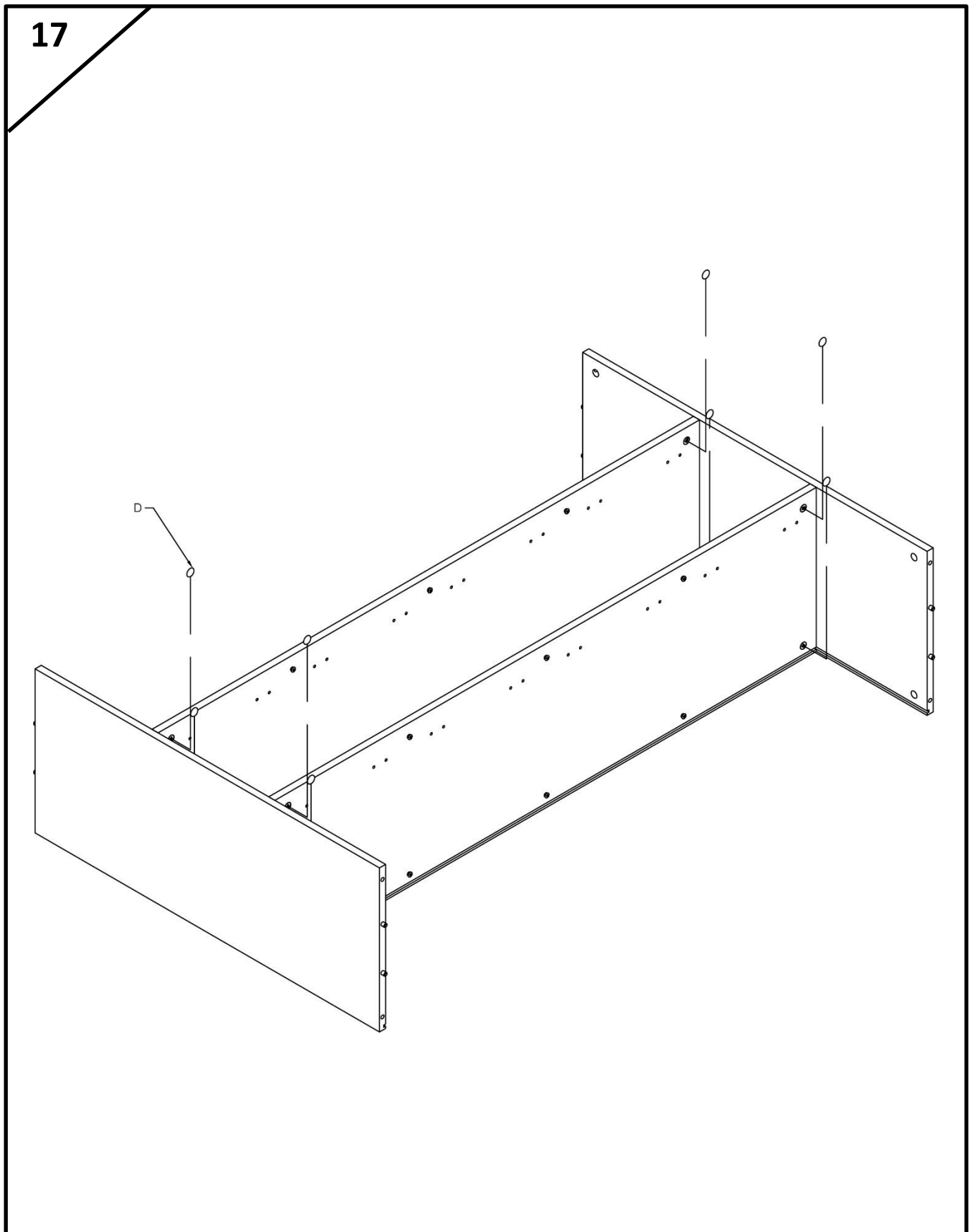
Showandstore

16



Assembly Guide

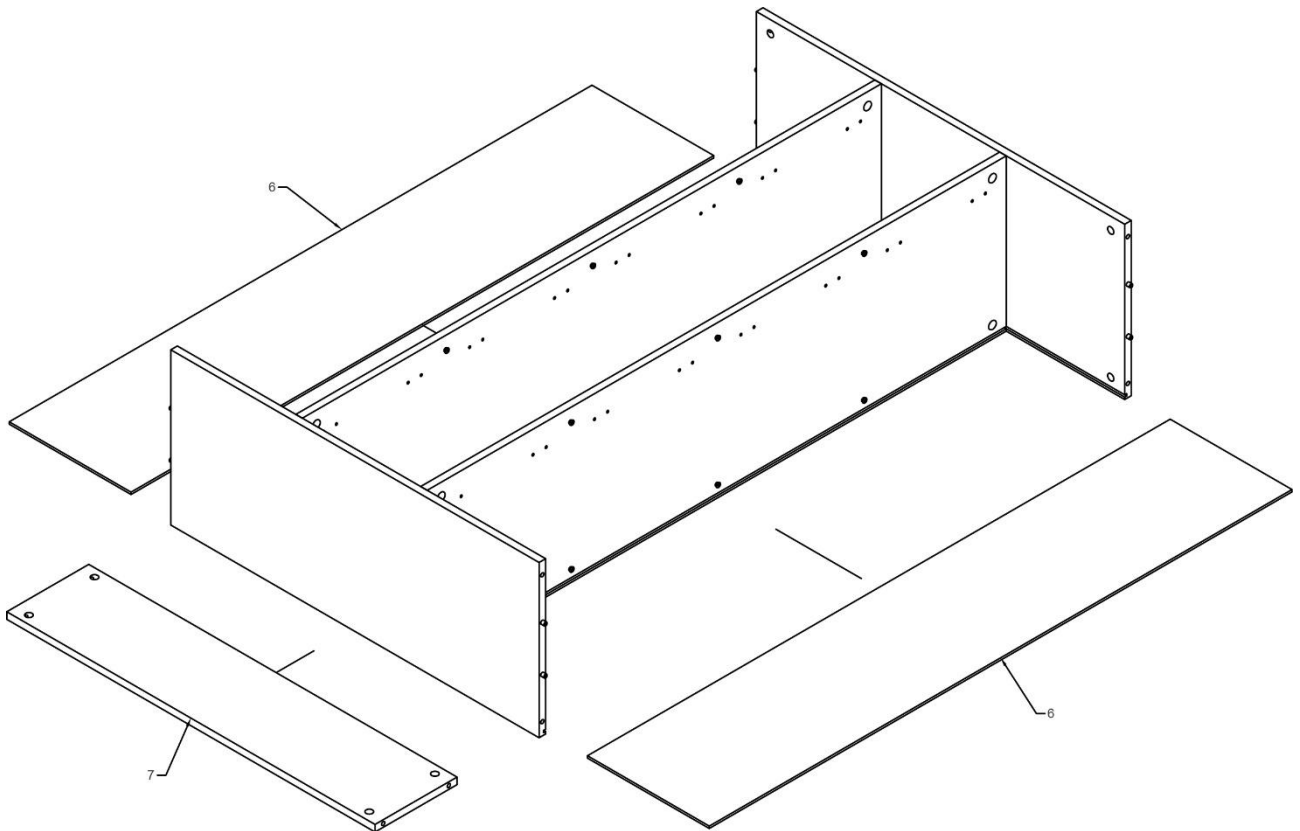
Showandstore



Assembly Guide

Showandstore

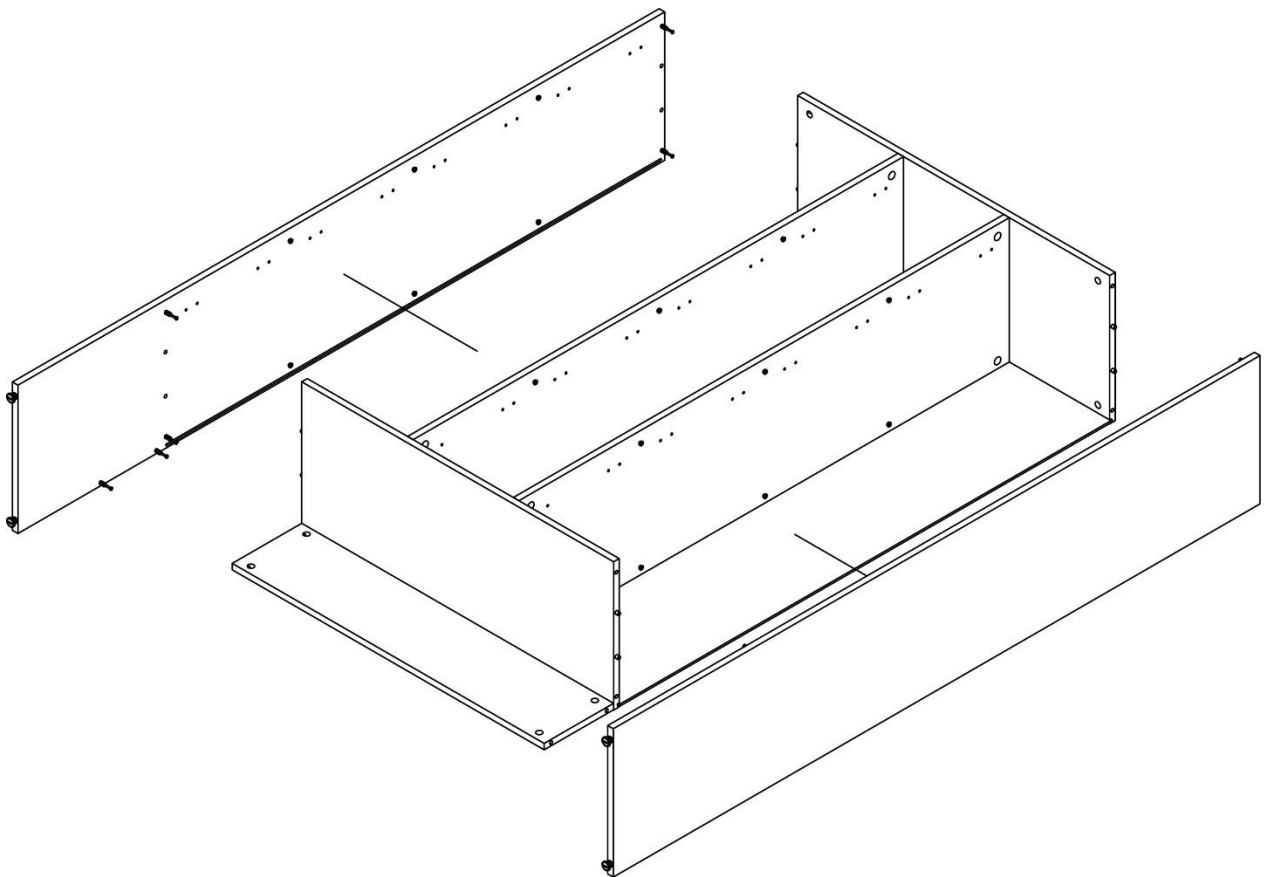
18



Assembly Guide

Showandstore

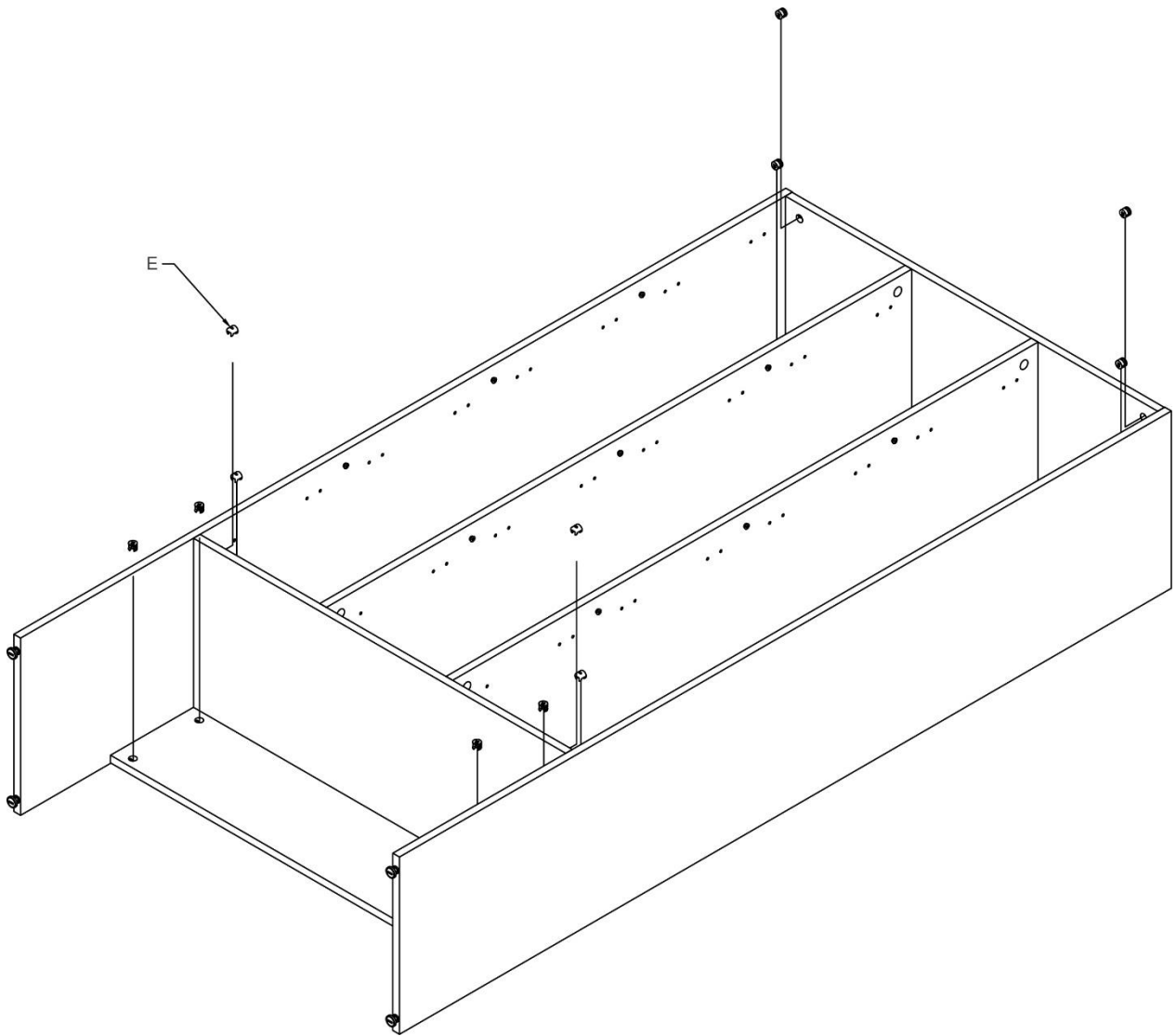
19



Assembly Guide

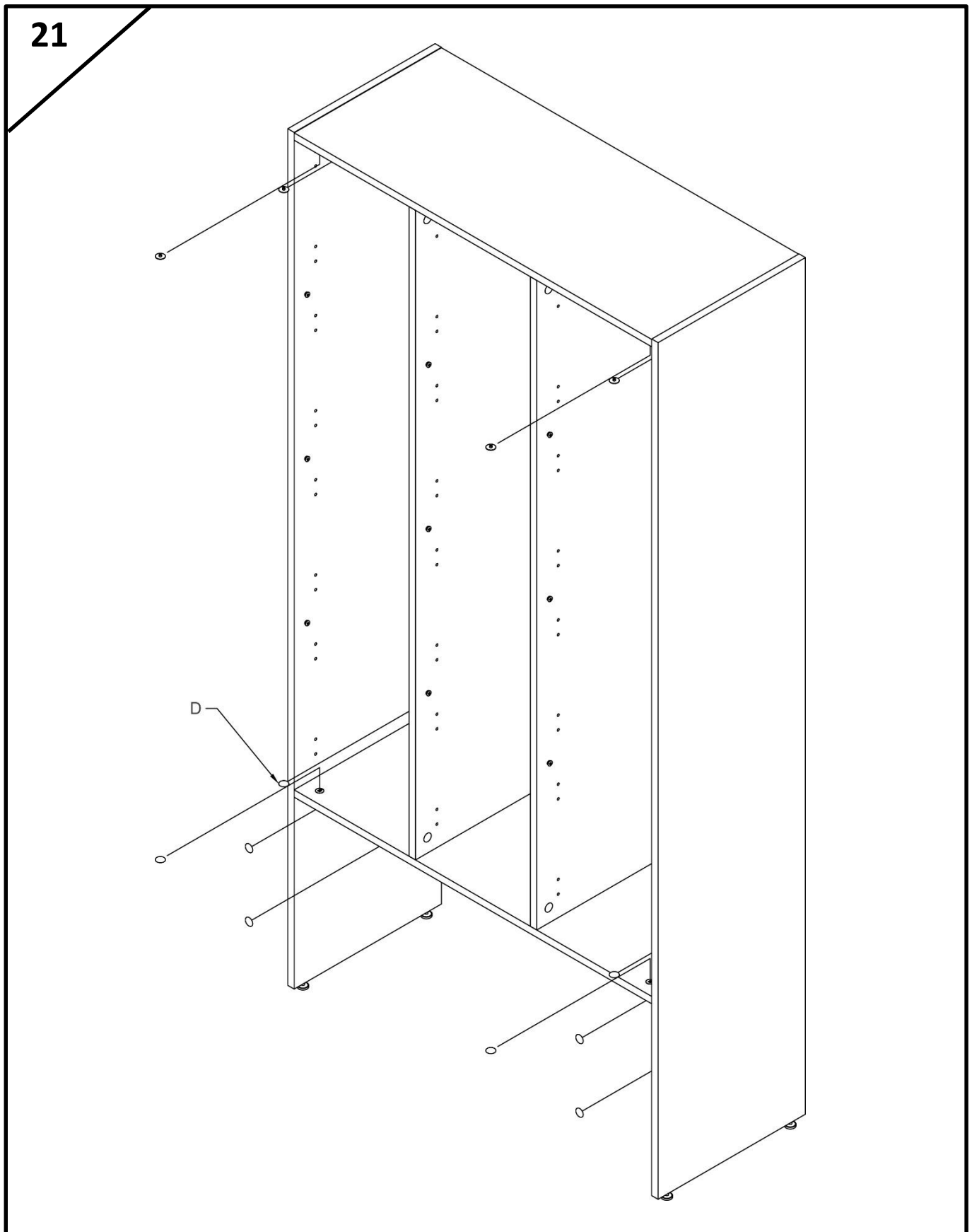
Showandstore

20



Assembly Guide

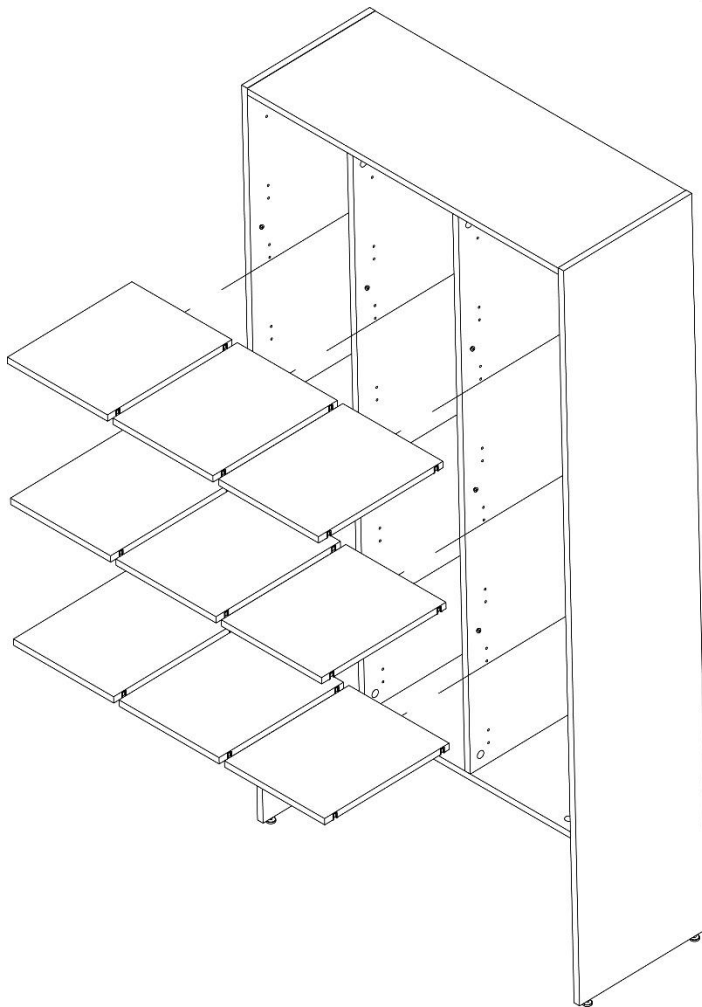
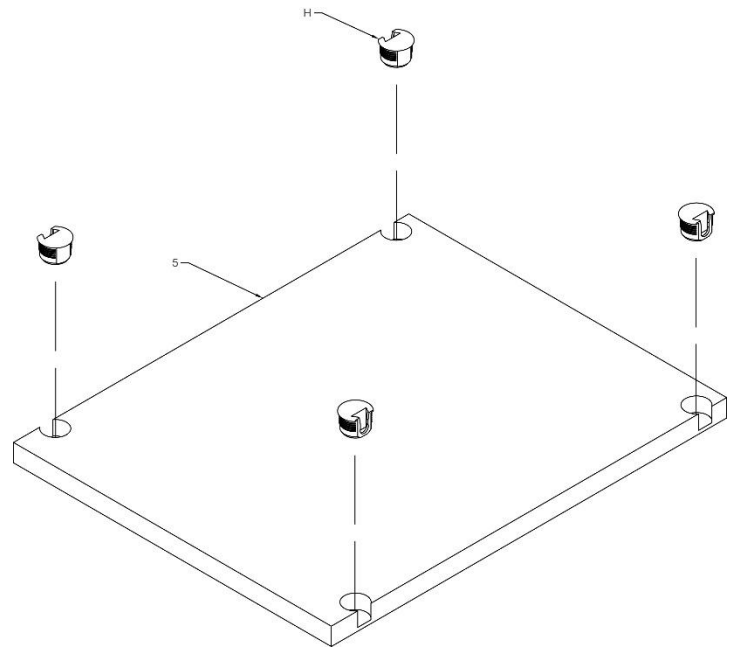
Showandstore



Assembly Guide

Showandstore

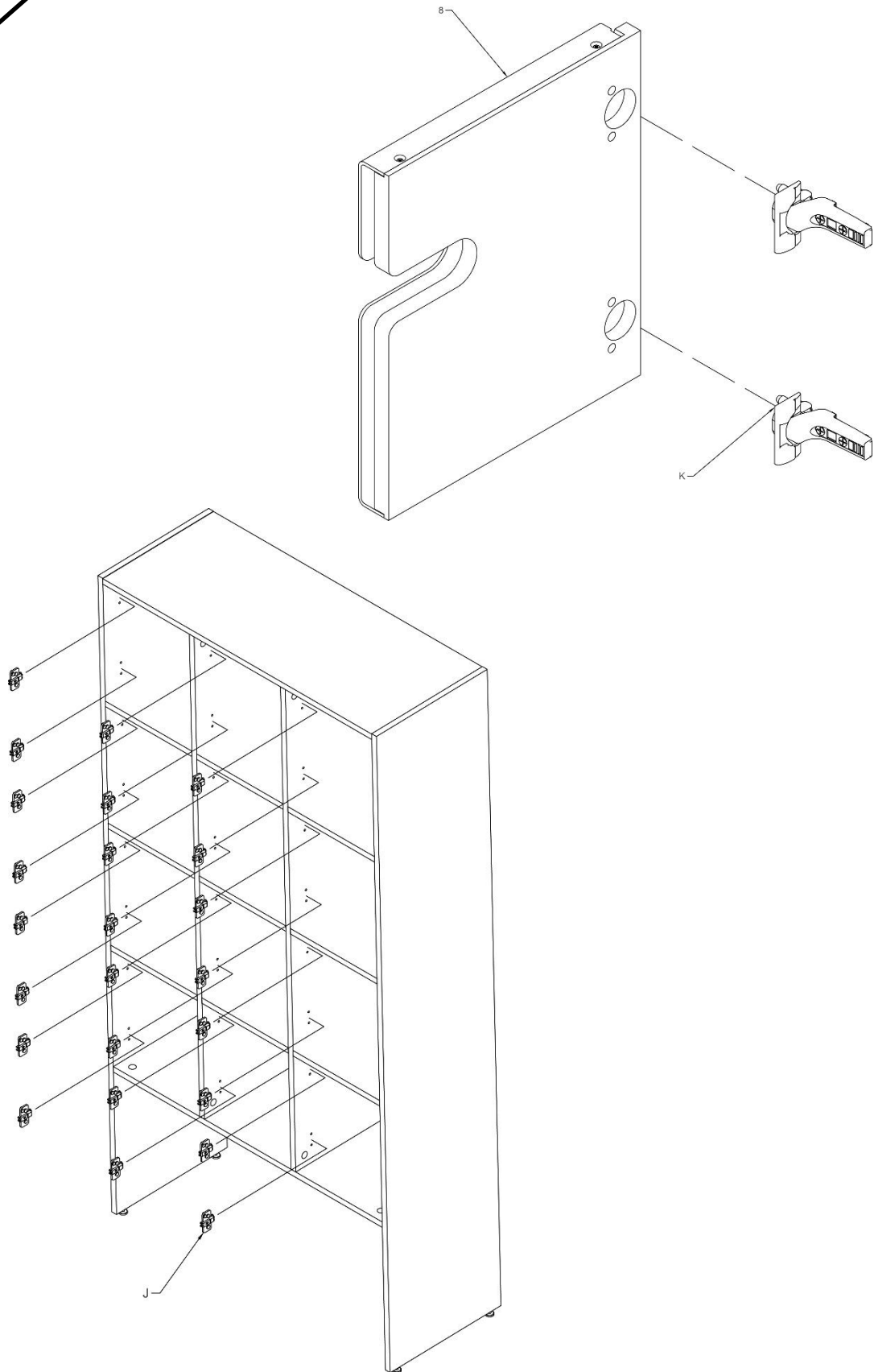
22



Assembly Guide

Showandstore

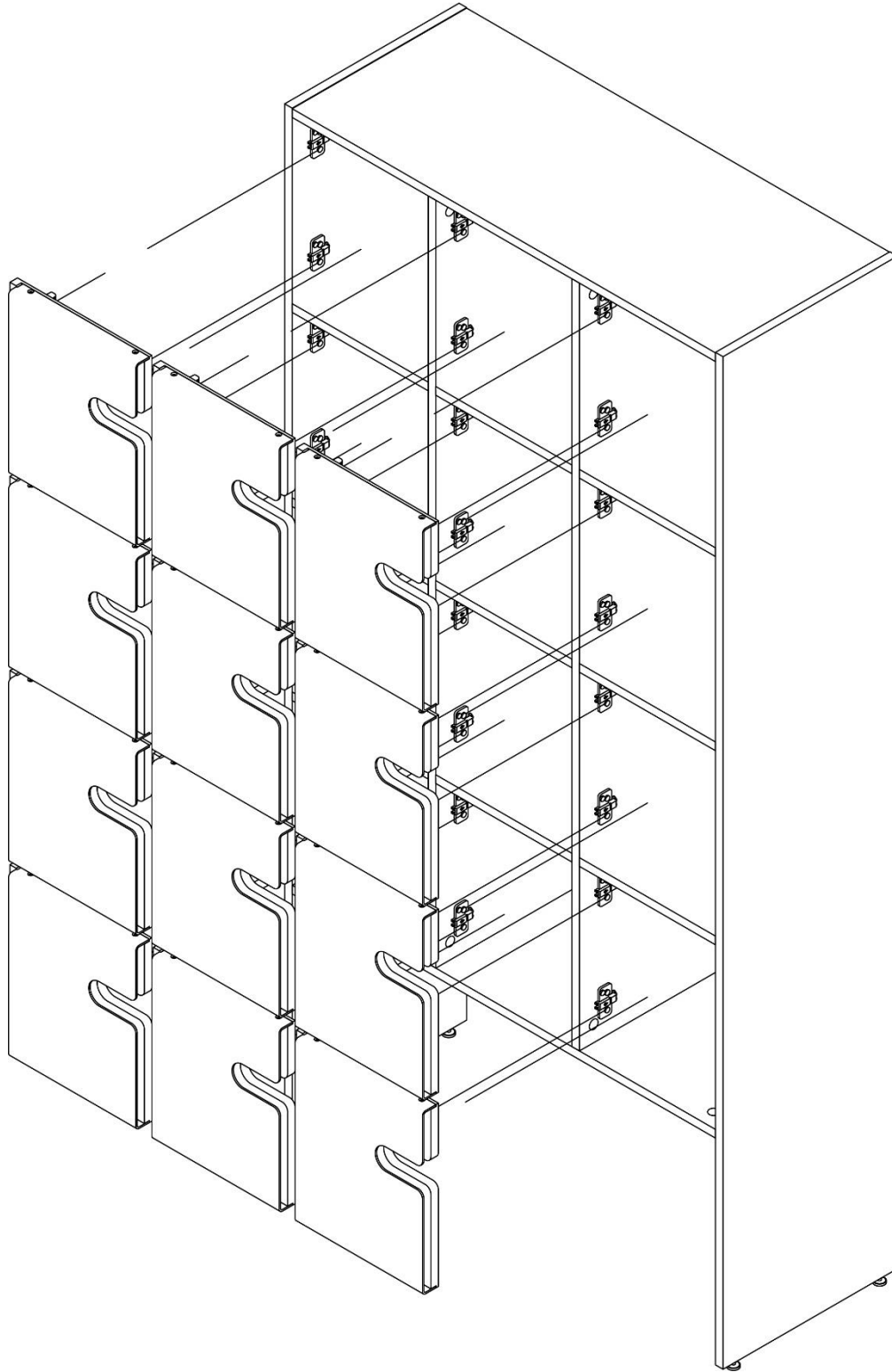
23



Assembly Guide

Showandstore

24



E450230