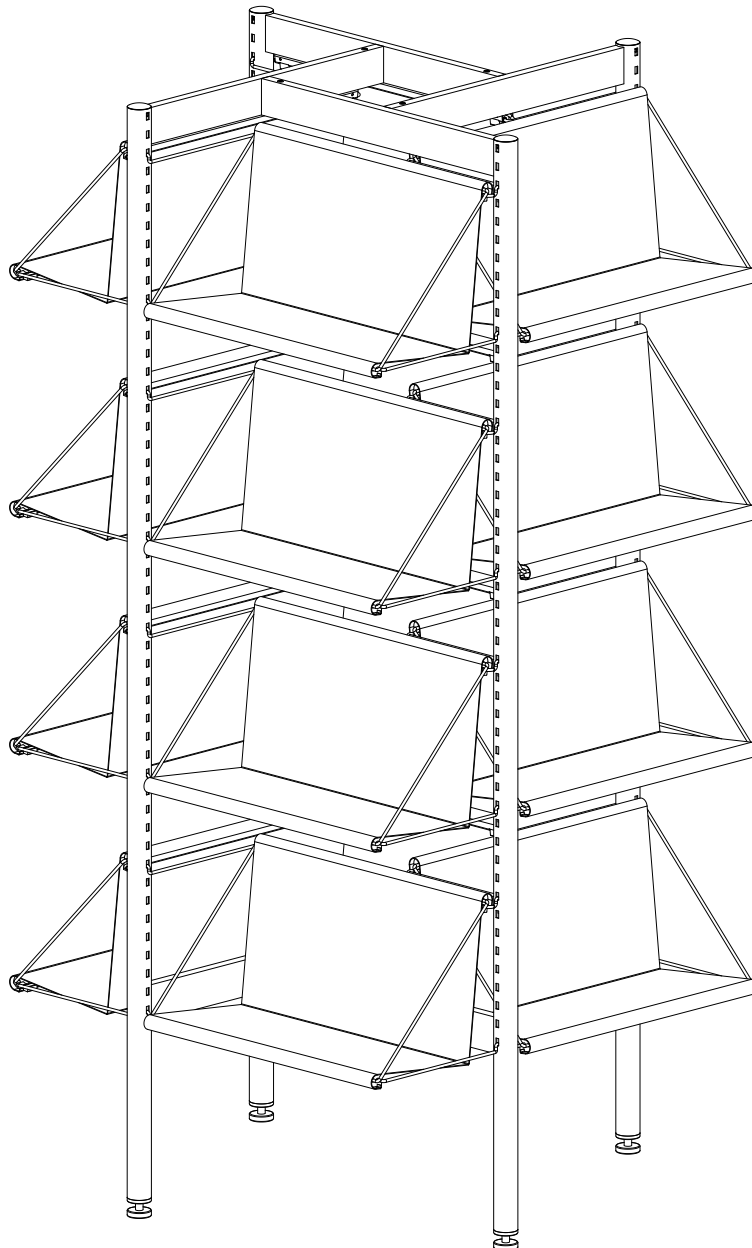




Assembly Guide

Media Display Tower



11.2020

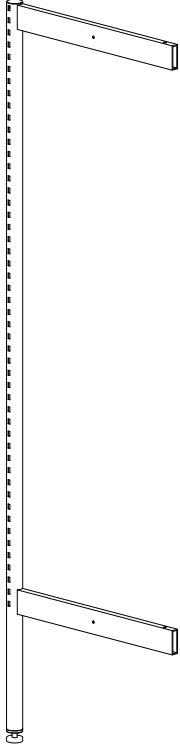
First check the contents to make sure that nothing is missing. Sort out the screws and fittings as shown. Assemble your furniture step by step, as shown in the illustrations.

Assembly Guide

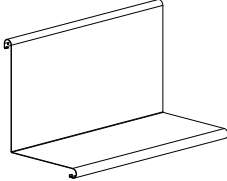


Media Display Tower


1




(4 x A)



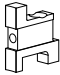
(16 x B - 152 cm)
(20 x B - 182 cm)




(8 x D)



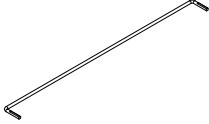
64 x F - 152 cm
80 x F - 182 cm




(8 x C)




(8 x E)



32 x G - 152 cm
40 x G - 182 cm

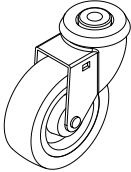


(16 x H - 152 cm)
(20 x H - 182 cm)

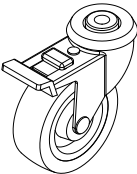


(16 x I - 152 cm)
(20 x I - 182 cm)


Note - The following fittings are only included if the product is ordered with castors:




(2 x J)



(2 x K)



M10 x 25
(4 x L)

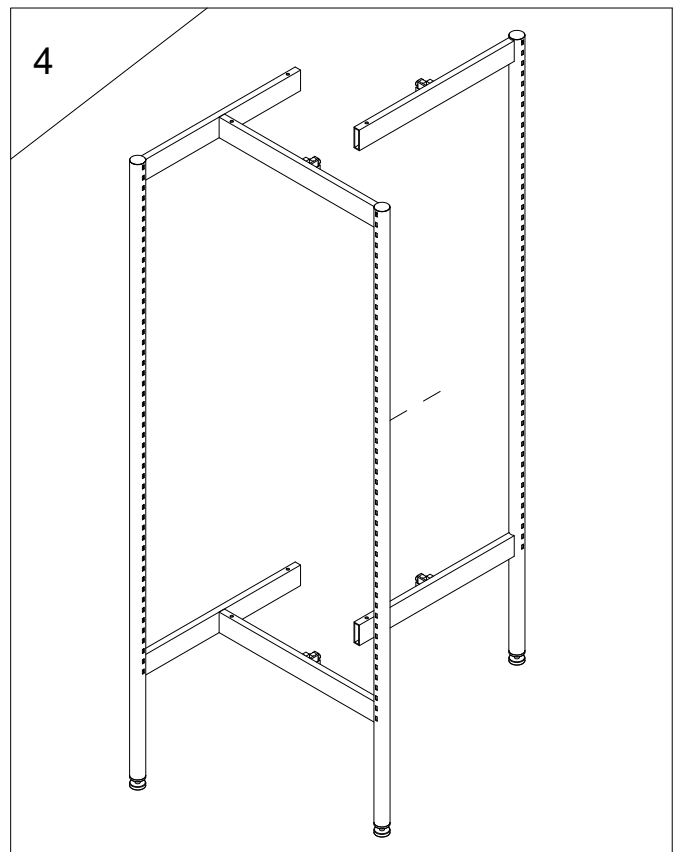
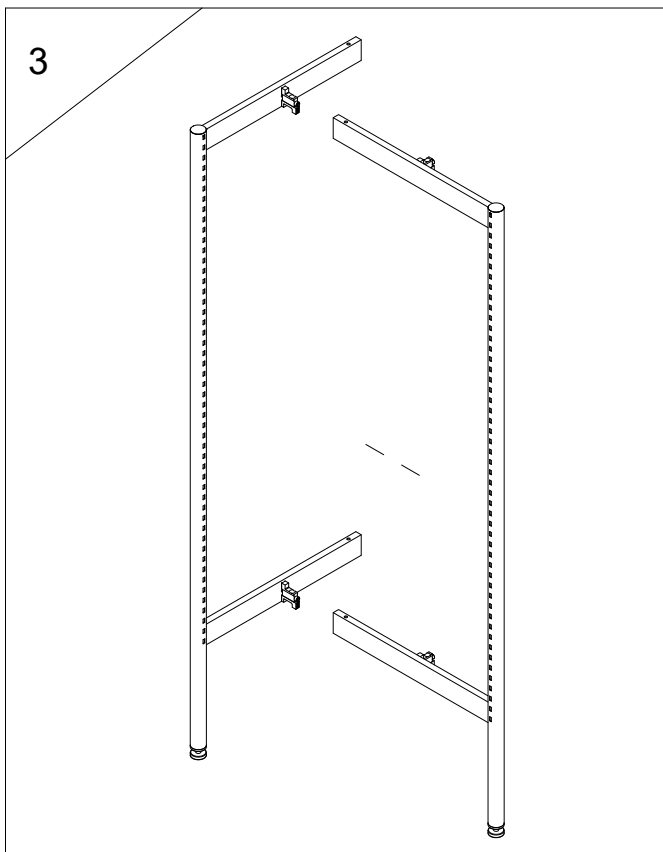
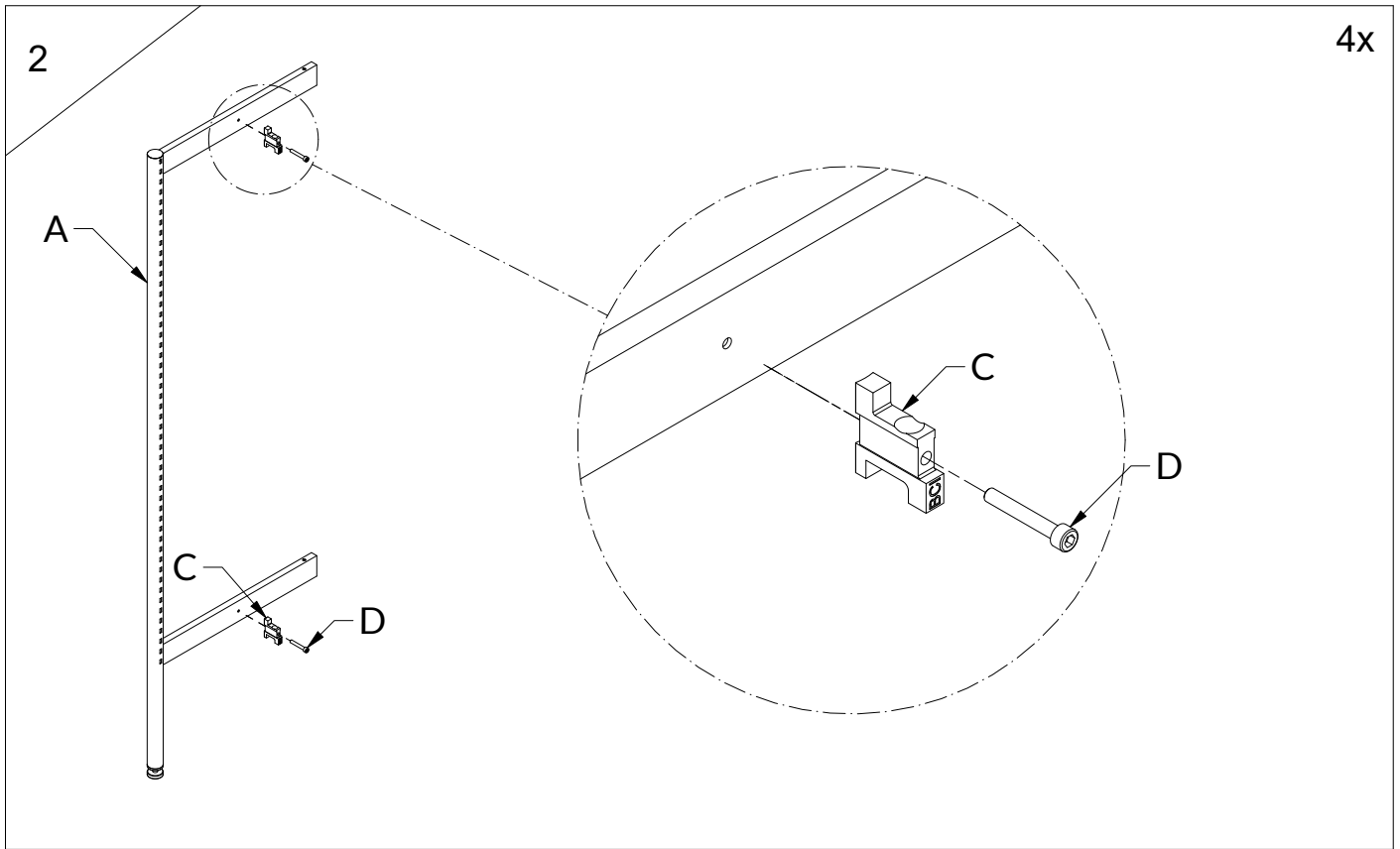


(4 x M)

Assembly Guide



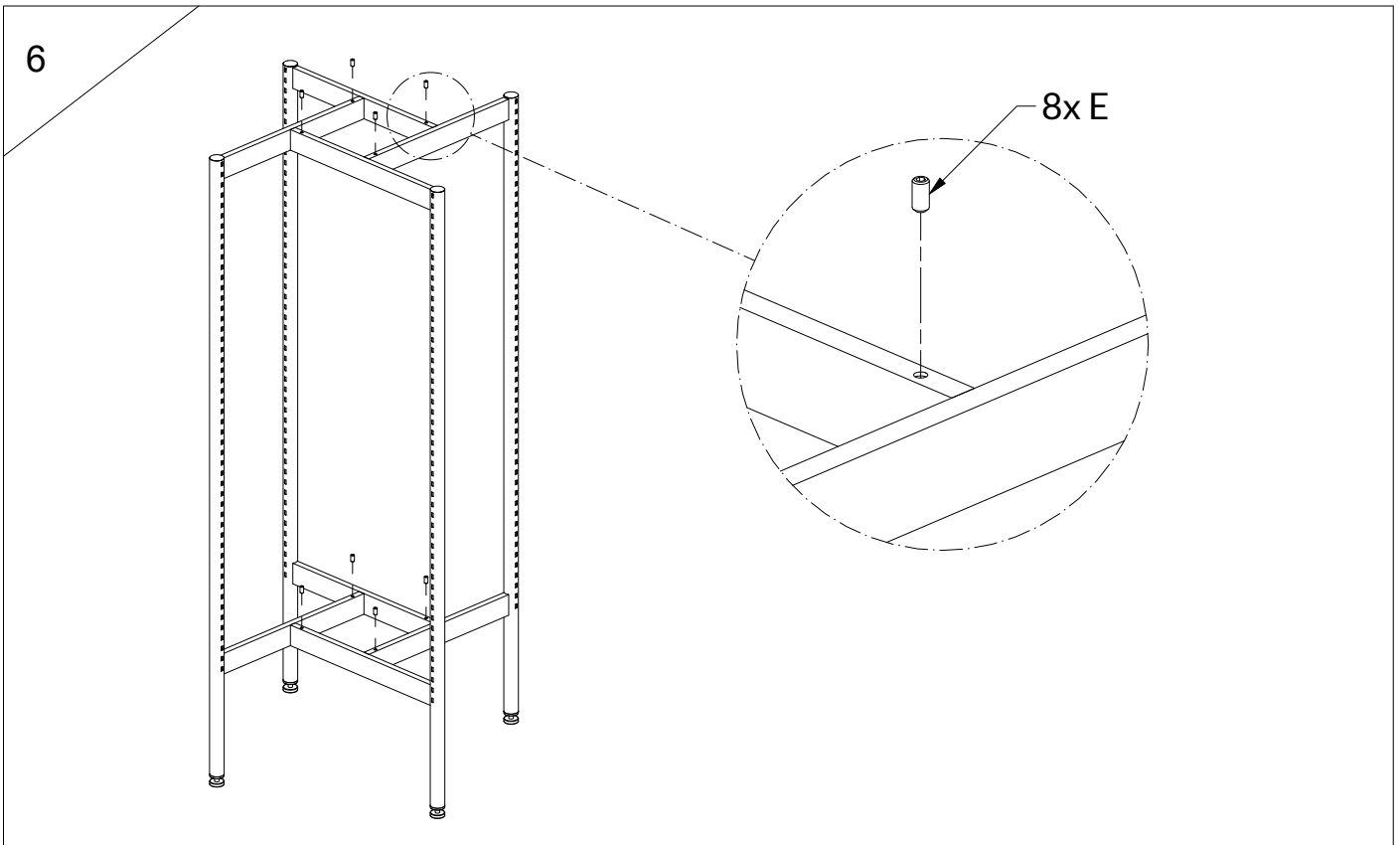
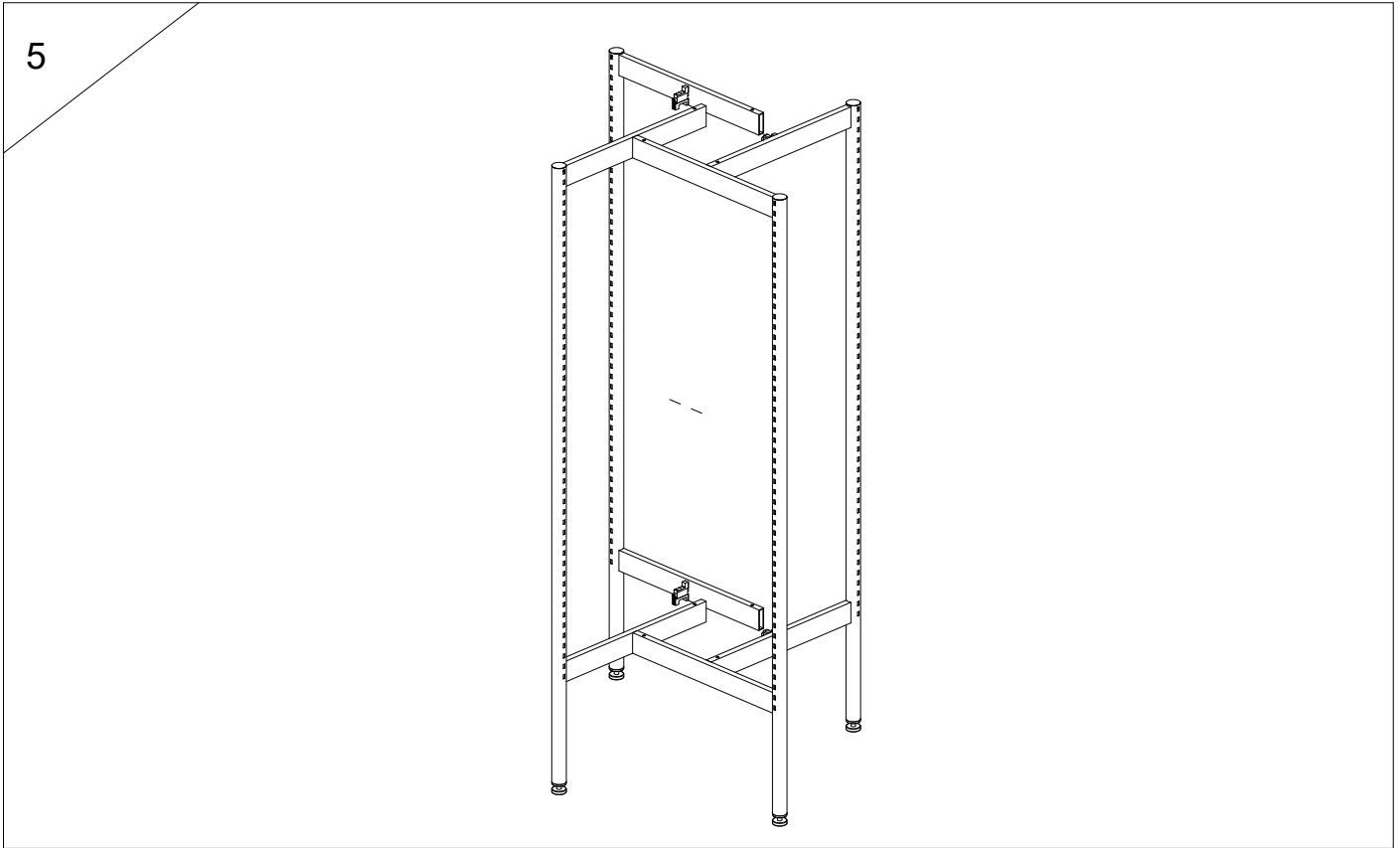
Media Display Tower



Assembly Guide



Media Display Tower



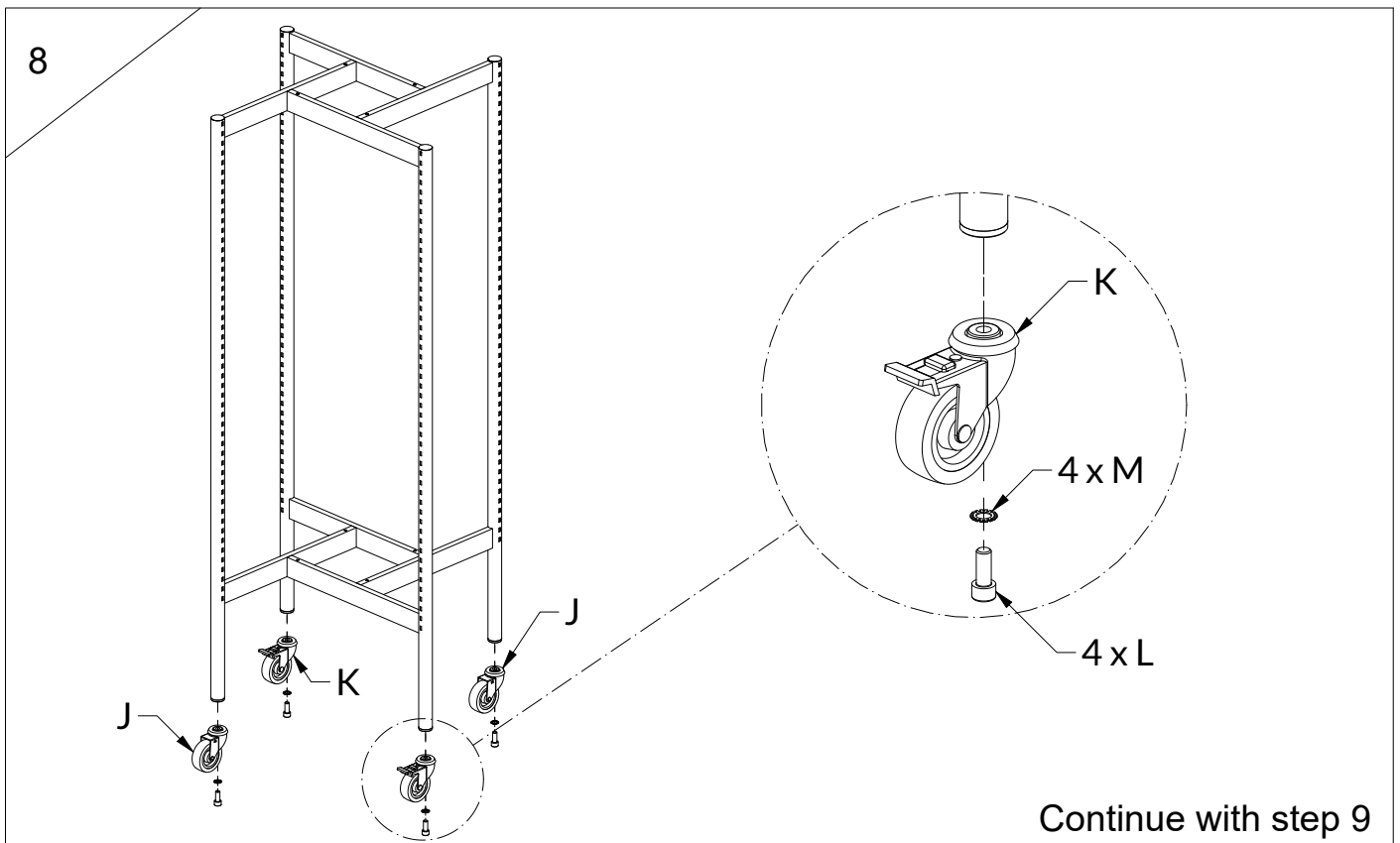
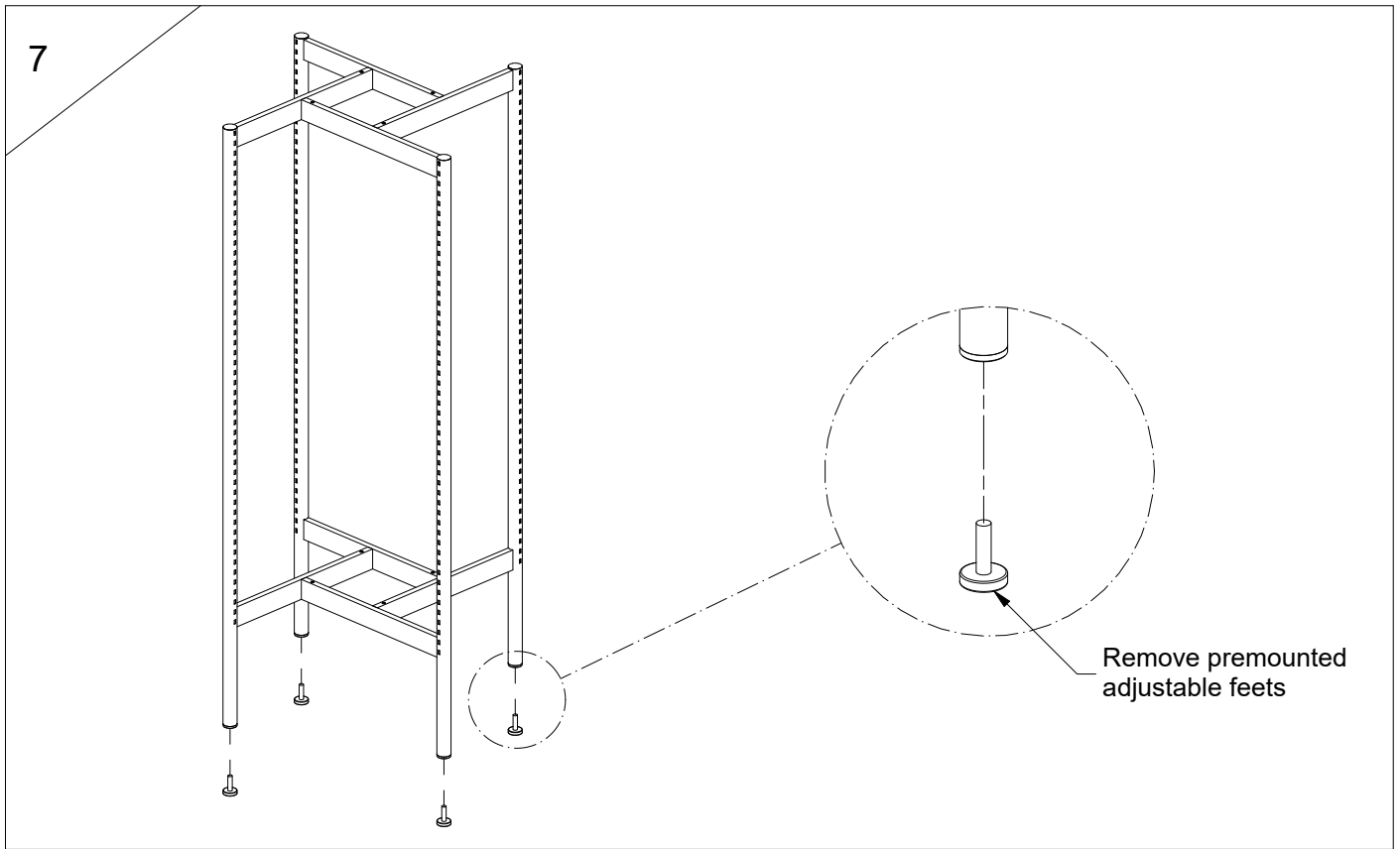
Assembly Guide

WE ARE LIBRARY PEOPLE®



Media Display Tower

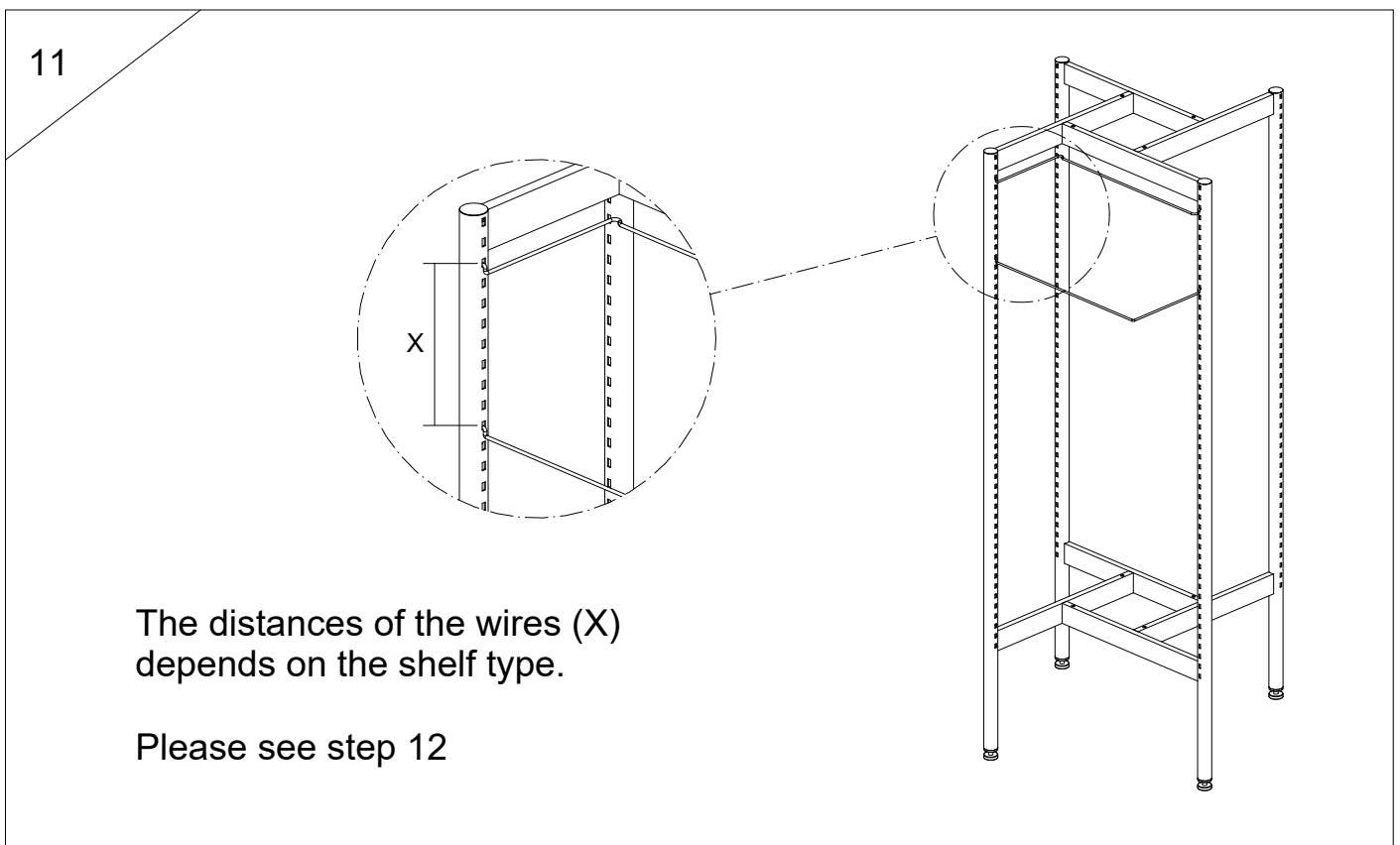
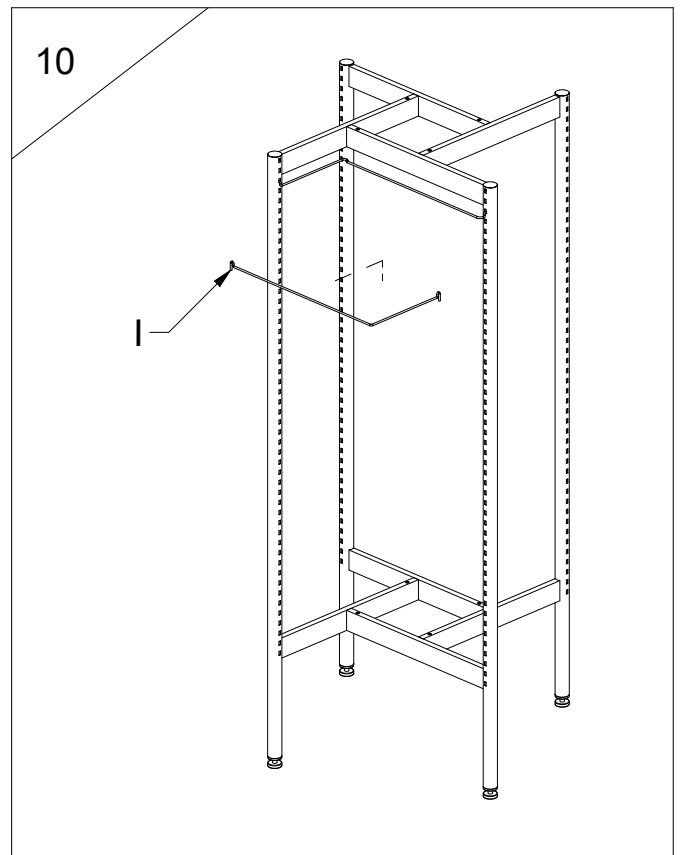
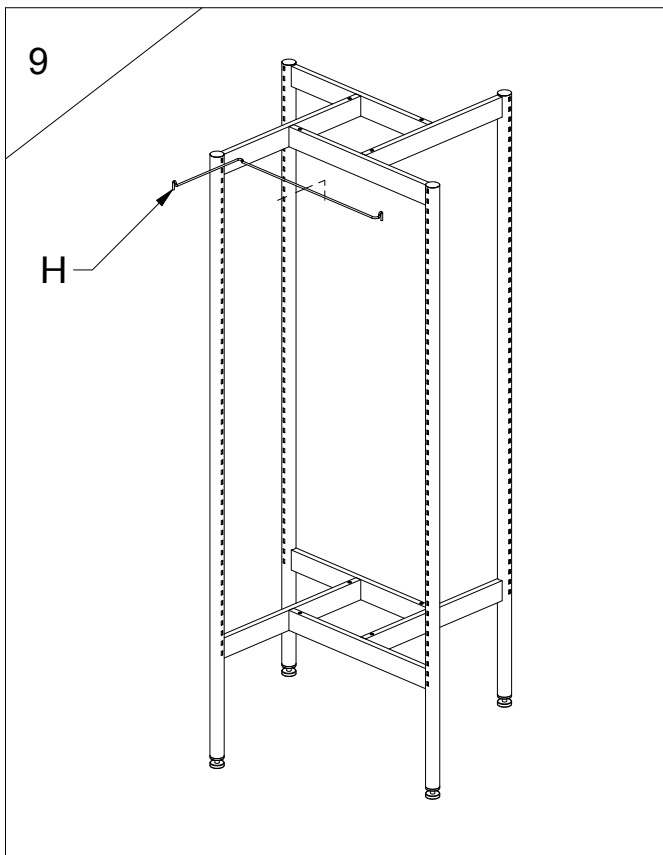
Note - Step 7 & 8 are only applicable if the product is ordered with castors



Assembly Guide



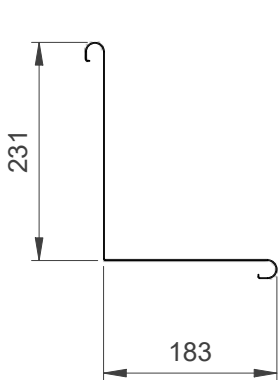
Media Display Tower



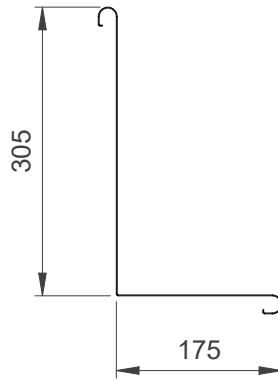
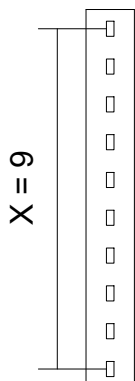


12

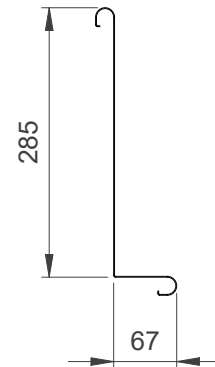
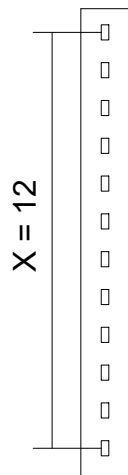
Distances between wires



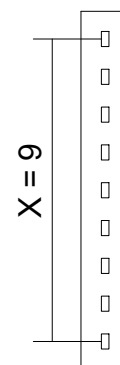
Shelf



Exhibition shelf



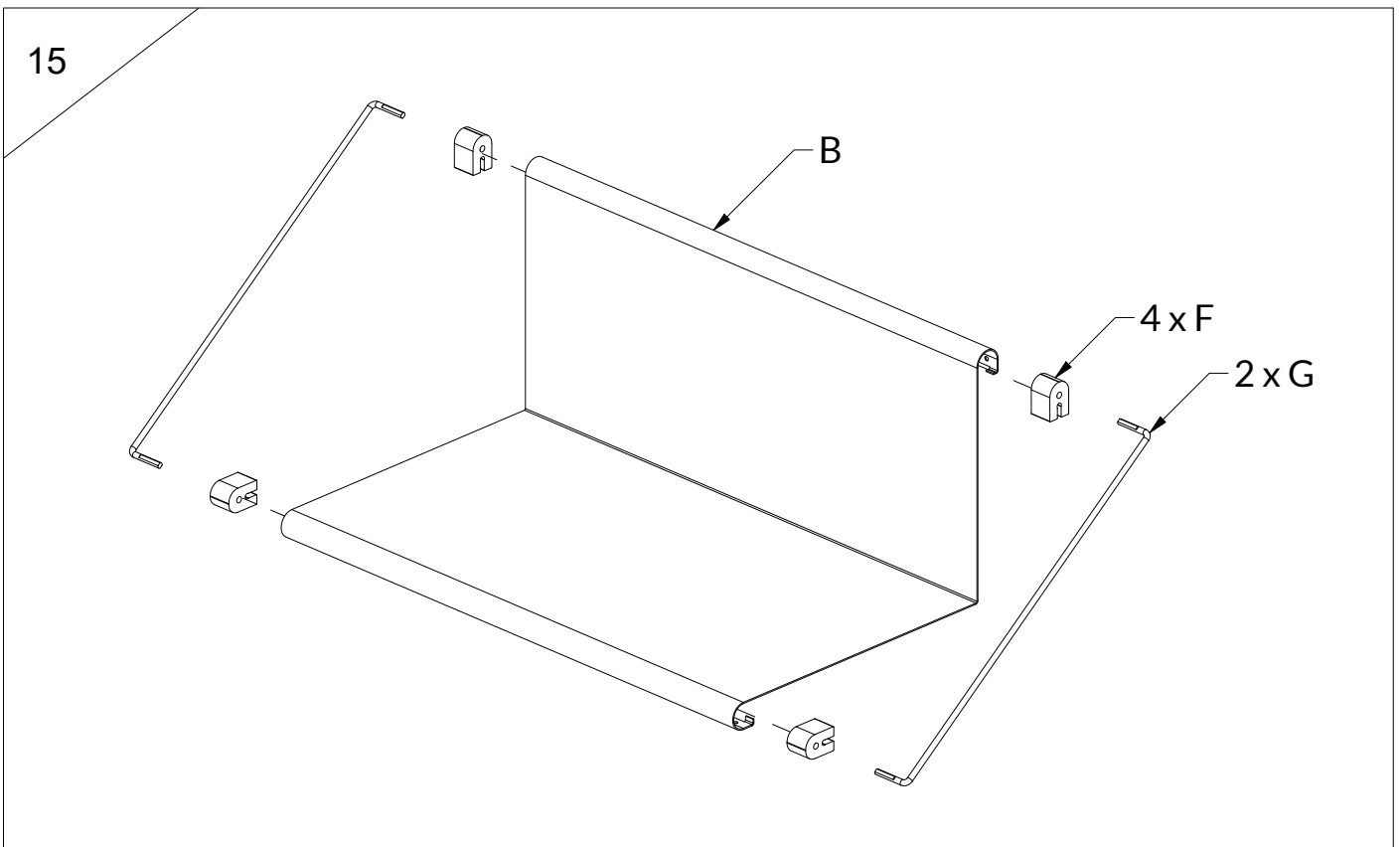
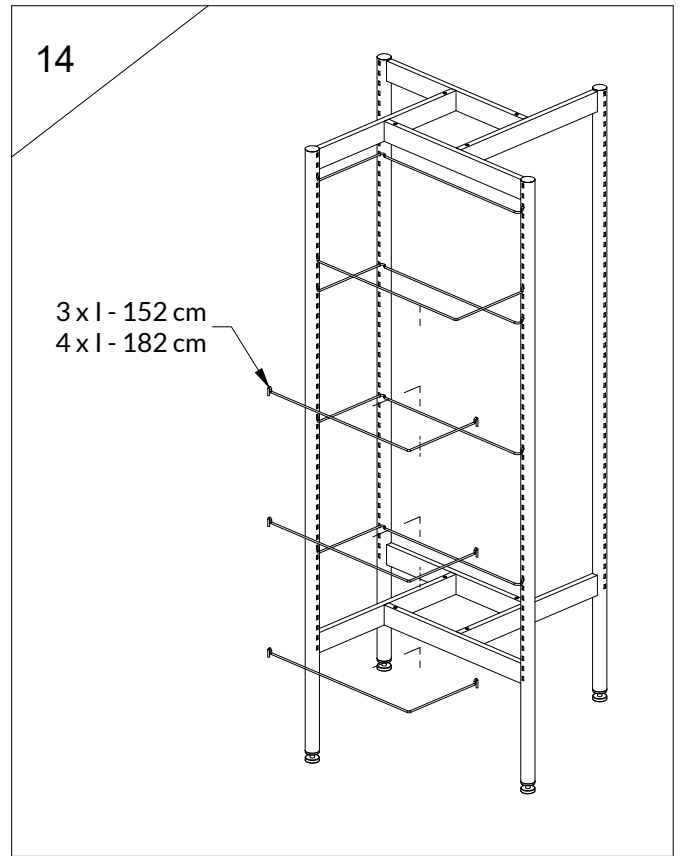
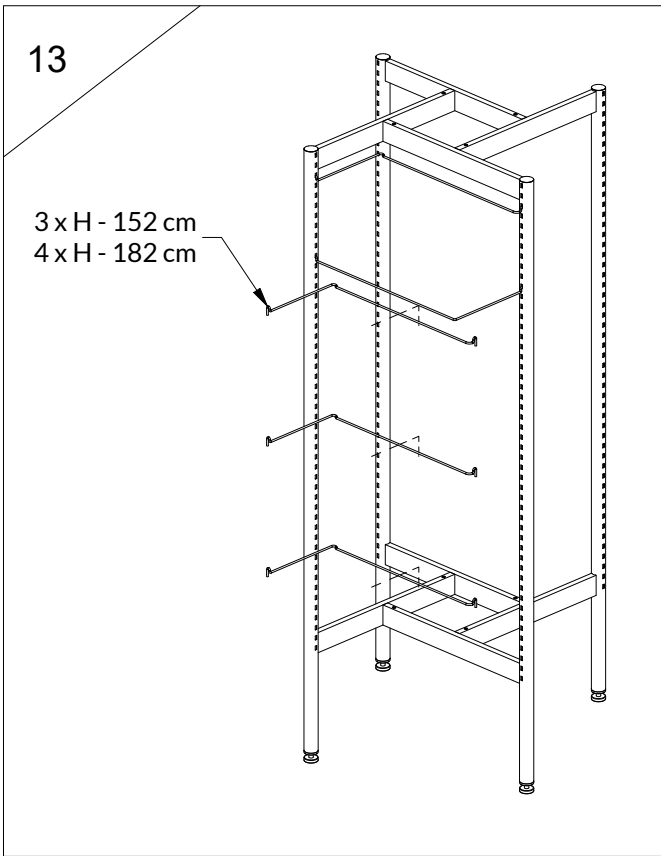
Sloping shelf



Assembly Guide



Media Display Tower

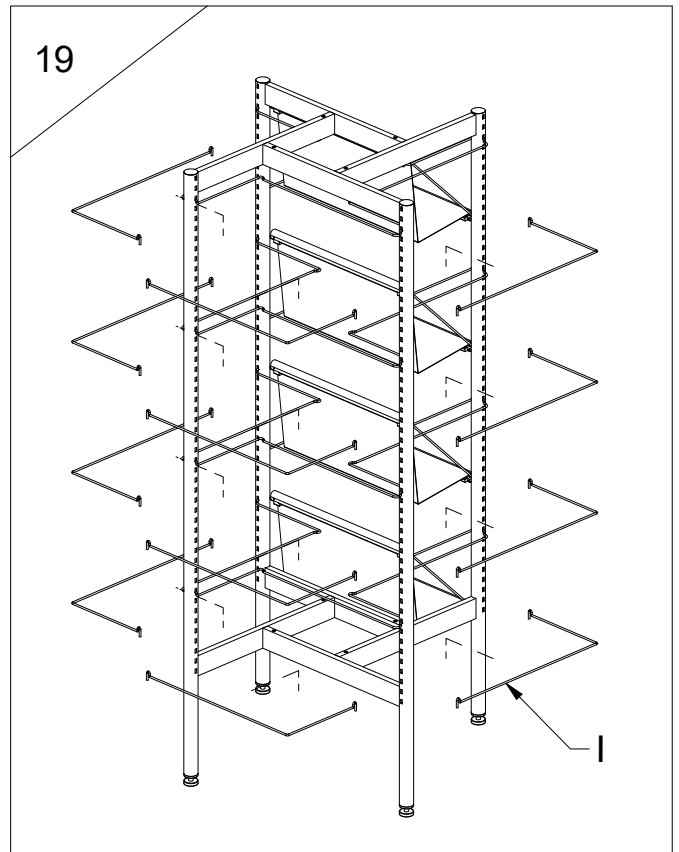
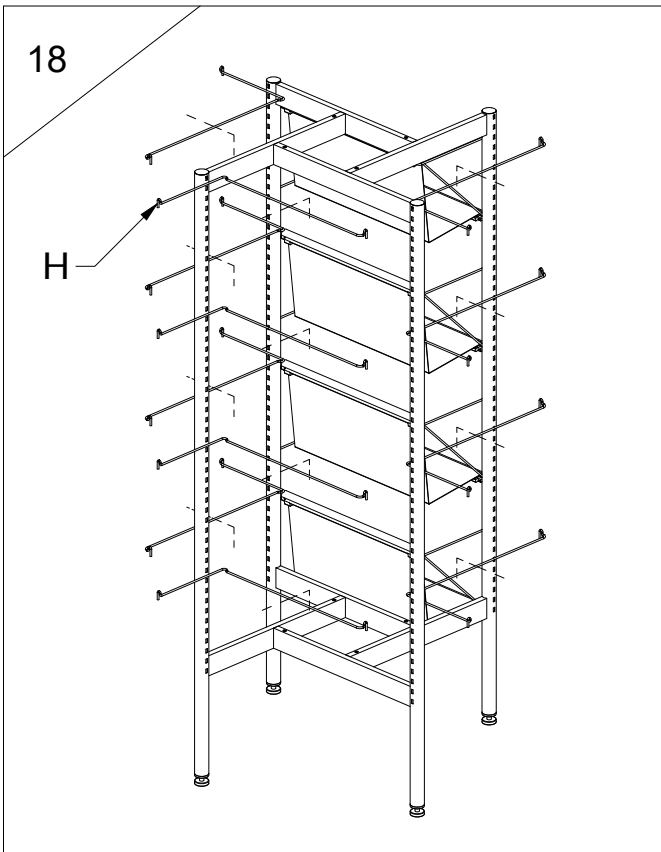
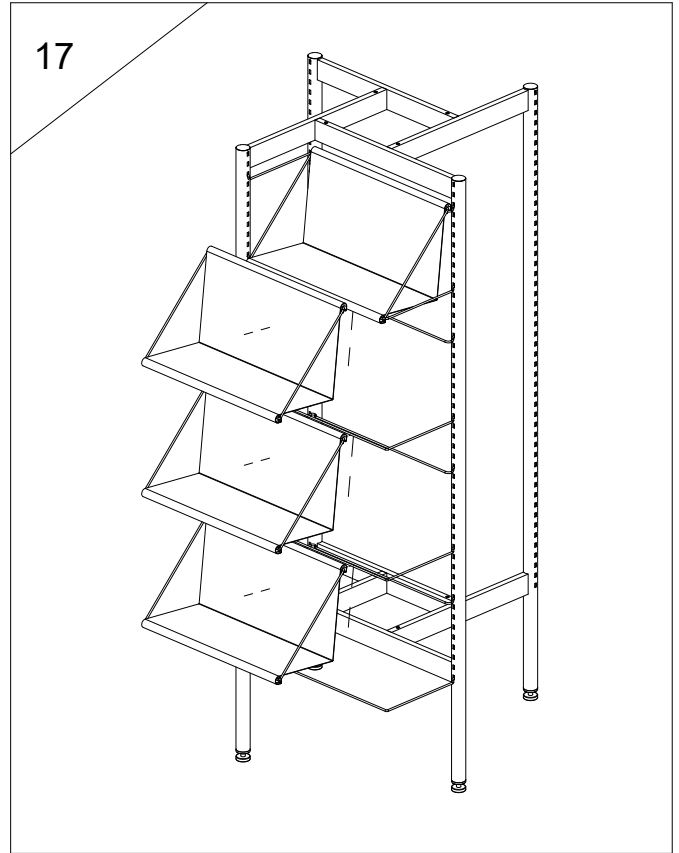
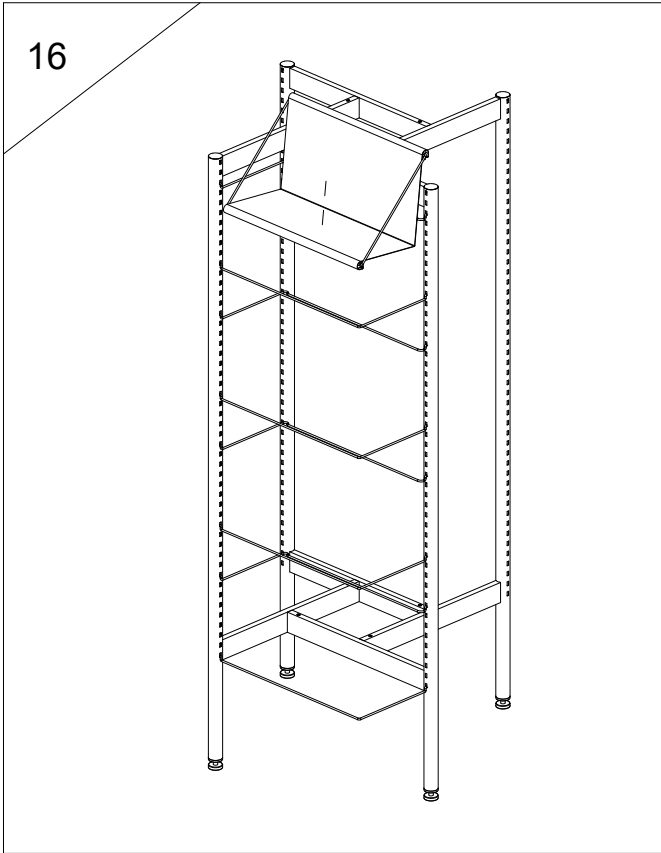


Assembly Guide

WE ARE LIBRARY PEOPLE®



Media Display Tower



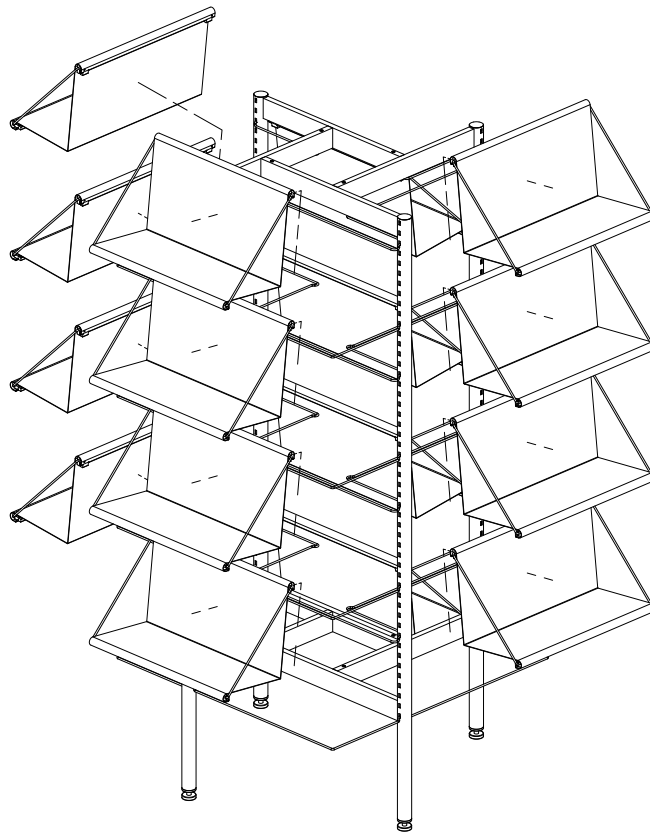
Assembly Guide

WE ARE LIBRARY PEOPLE®



Media Display Tower

20



21

