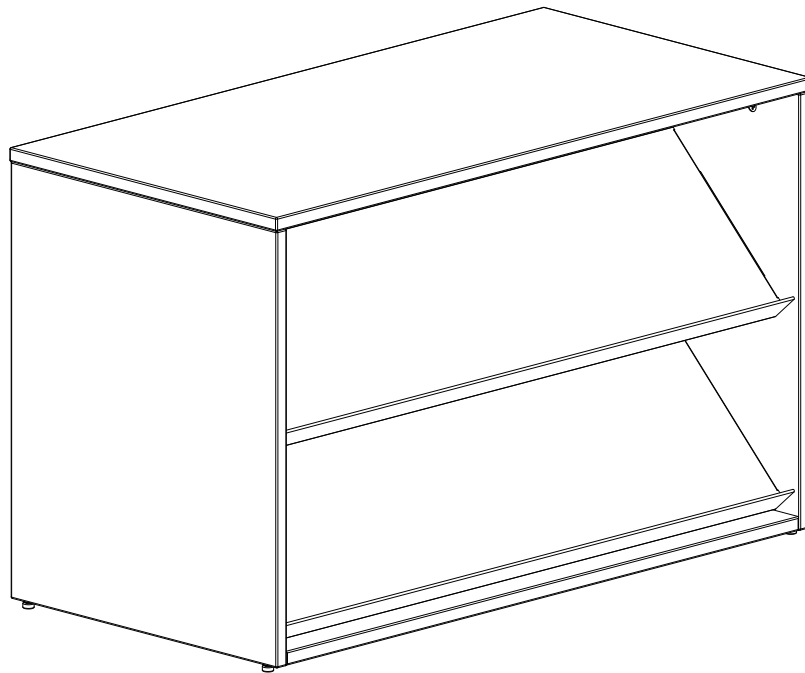




Assembly Guide

Lena display podium, w. sloping shelves



04.2026

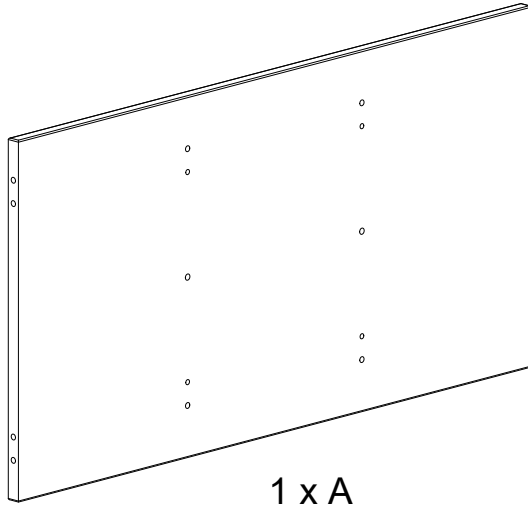
First check the contents to make sure that nothing is missing. Sort out the screws and fittings as shown.
Assemble your furniture step by step, as shown in the illustrations.

Assembly Guide

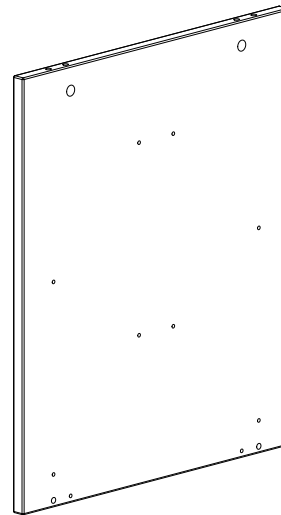


Lena display podium, w. sloping shelves

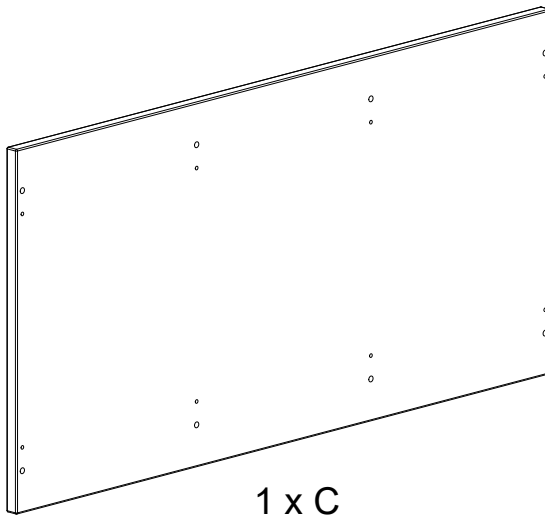
1



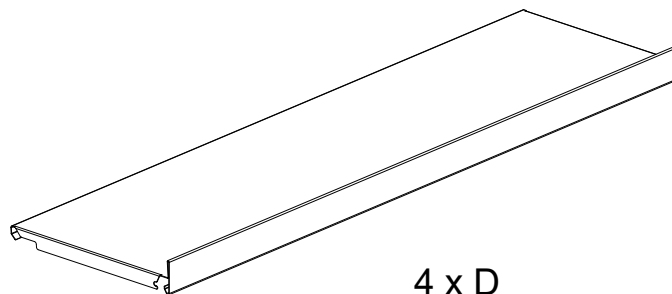
1 x A



2 x B



1 x C

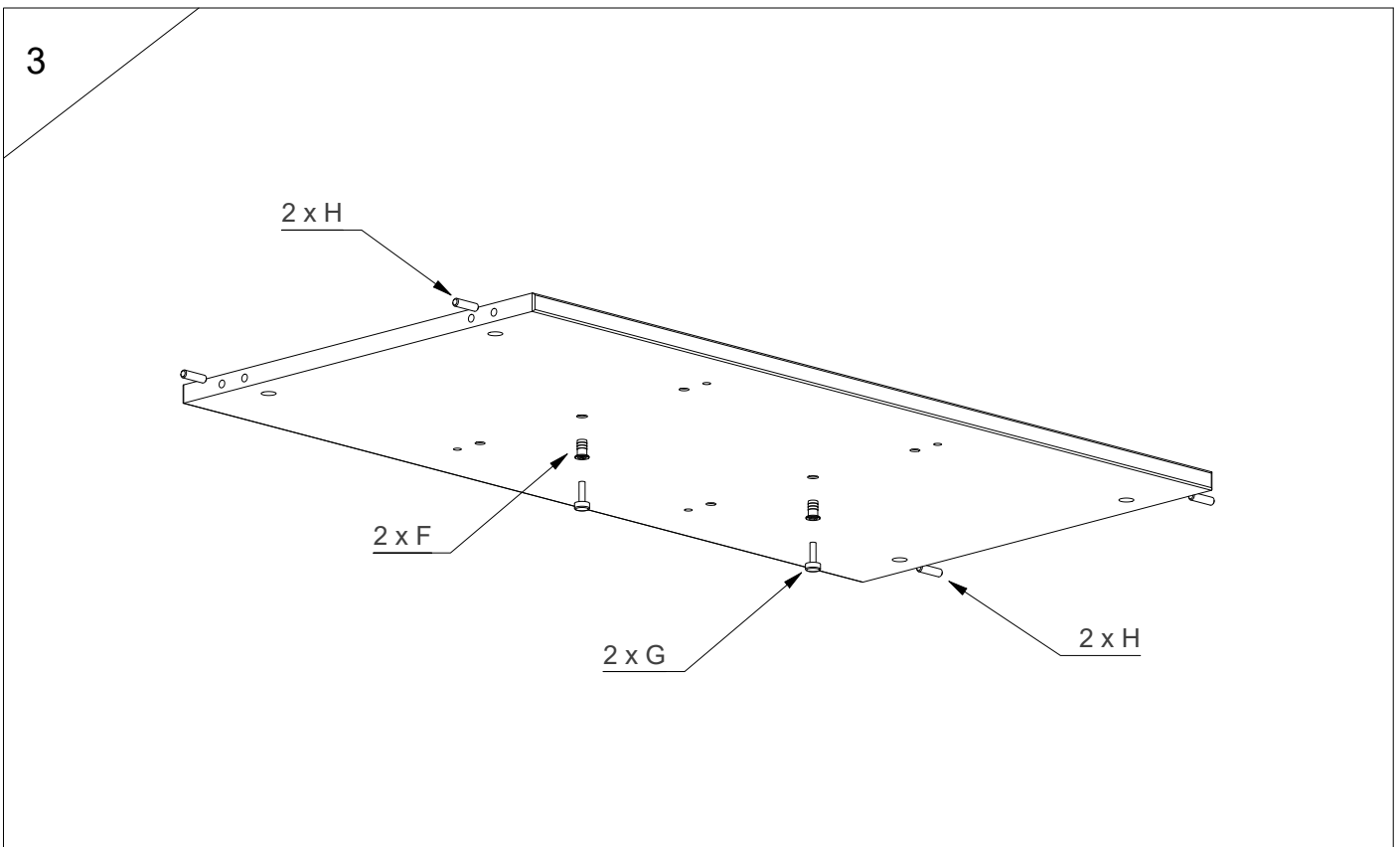
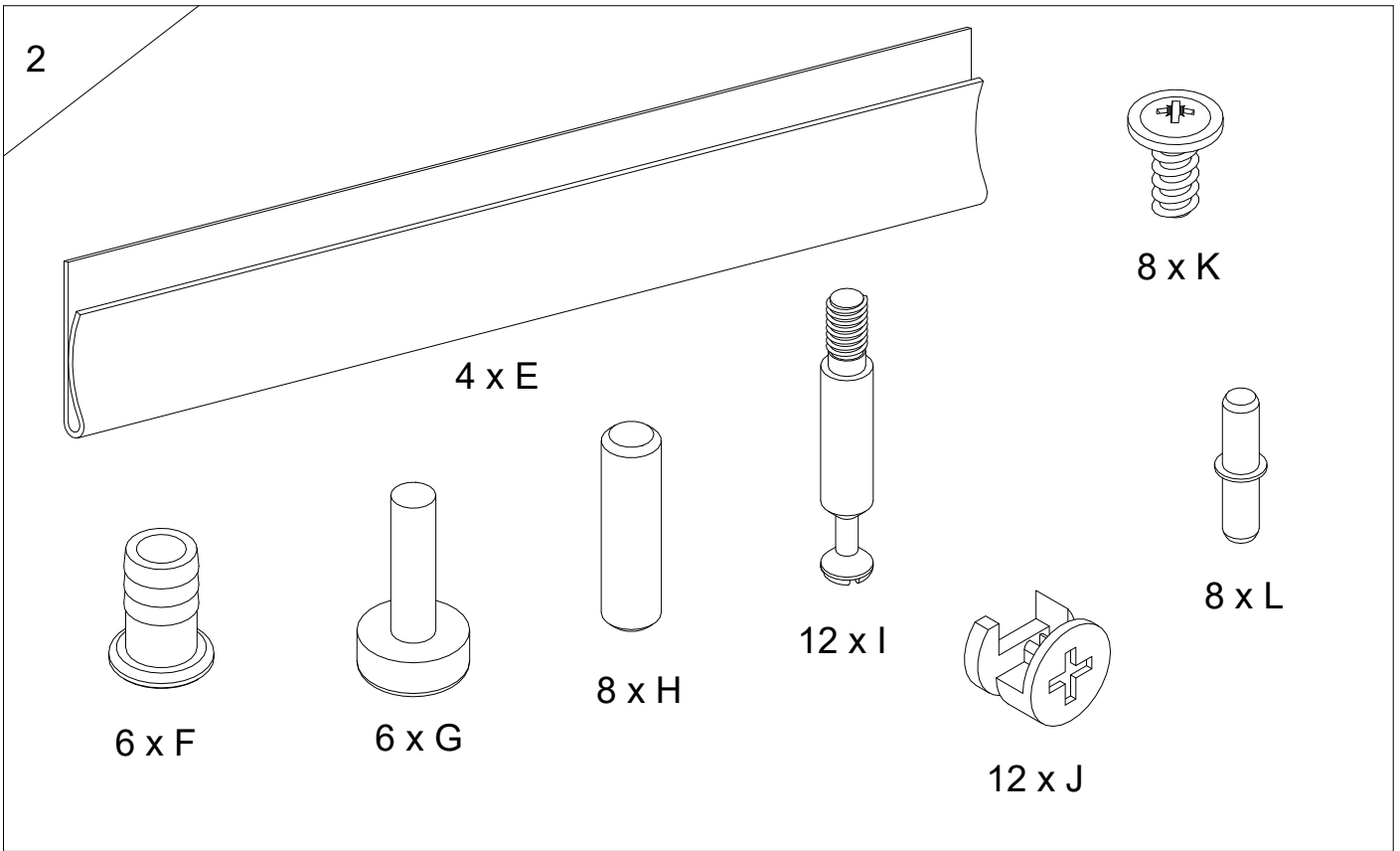


4 x D

Assembly Guide



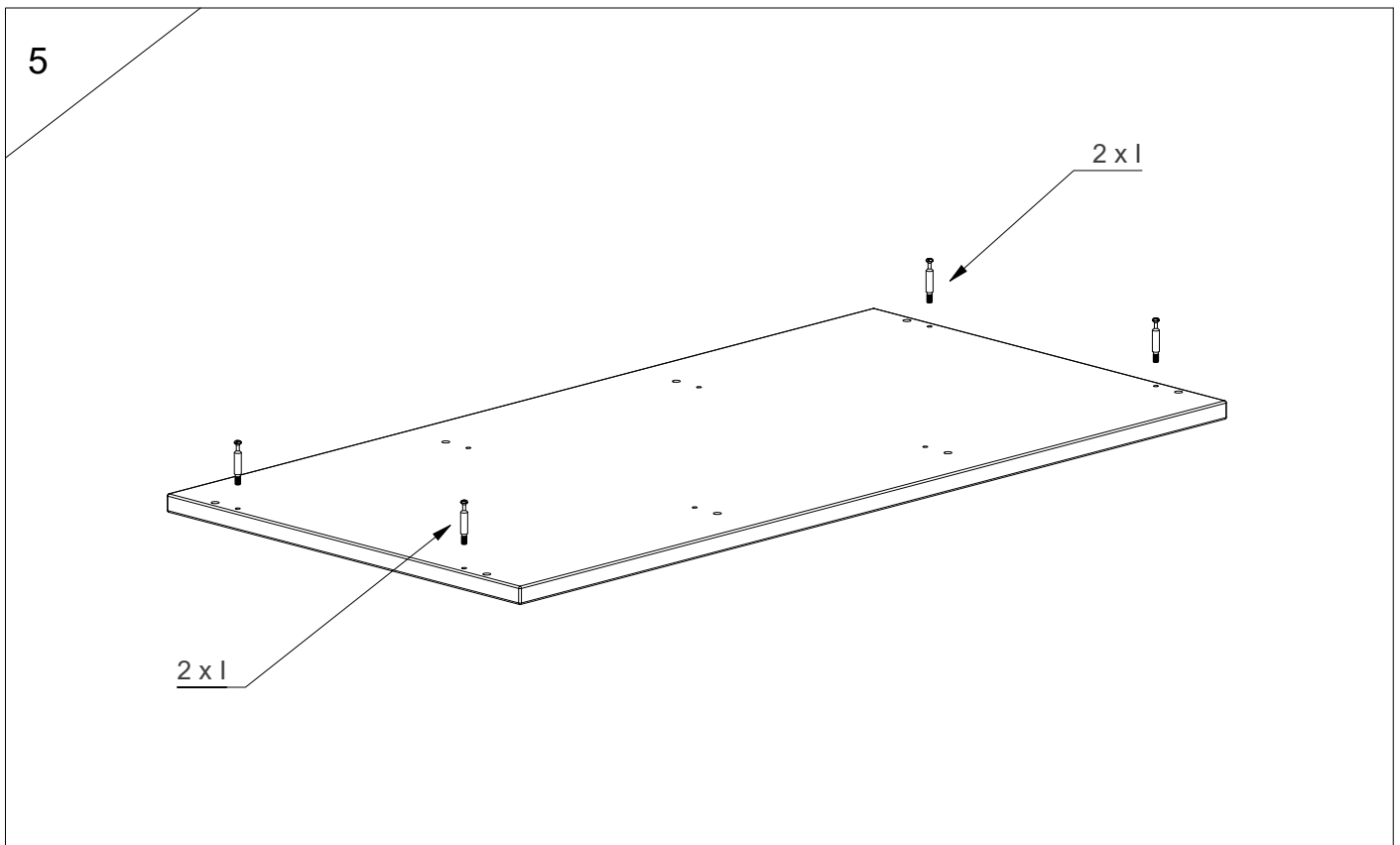
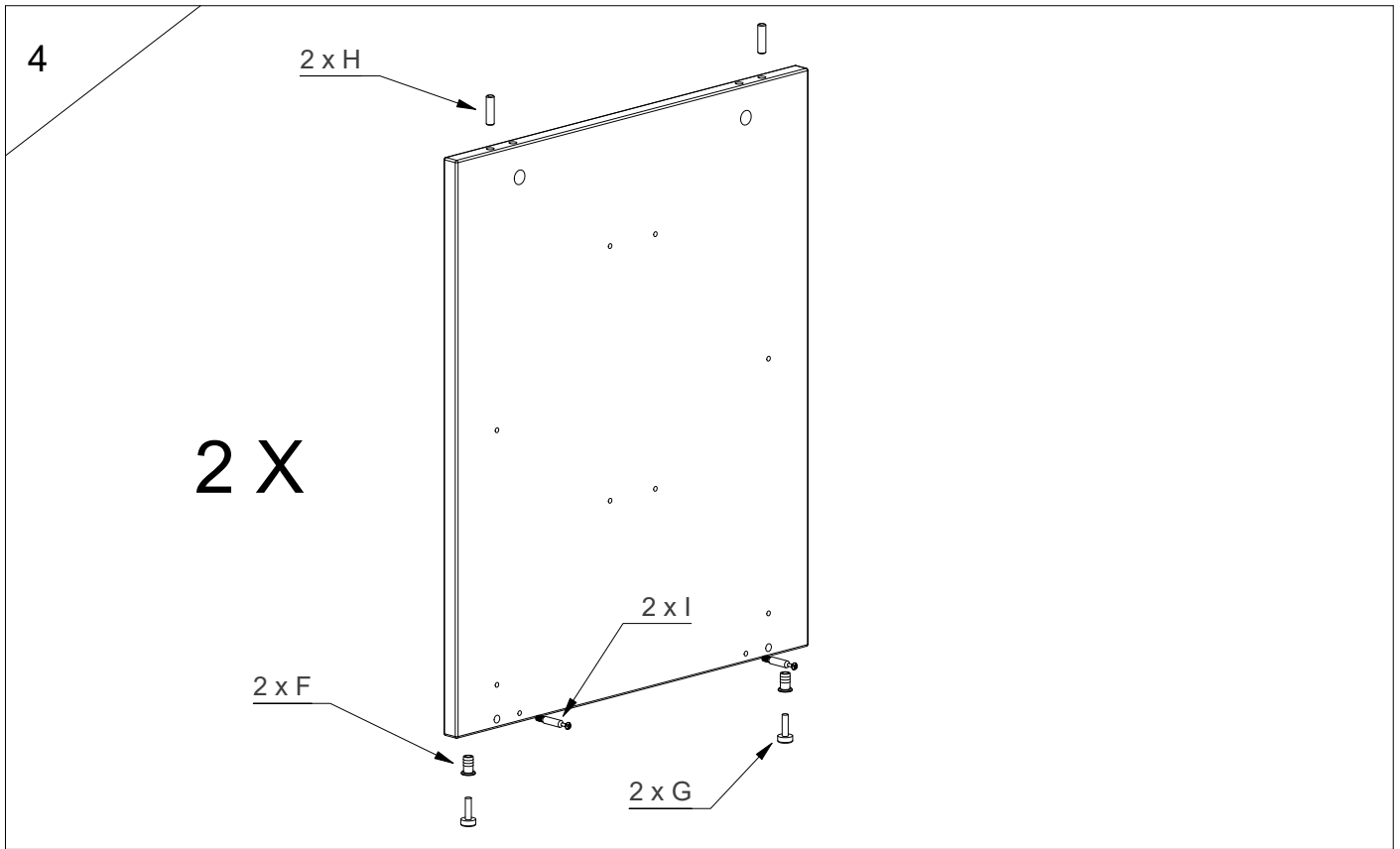
Lena display podium, w. sloping shelves



Assembly Guide



Lena display podium, w. sloping shelves

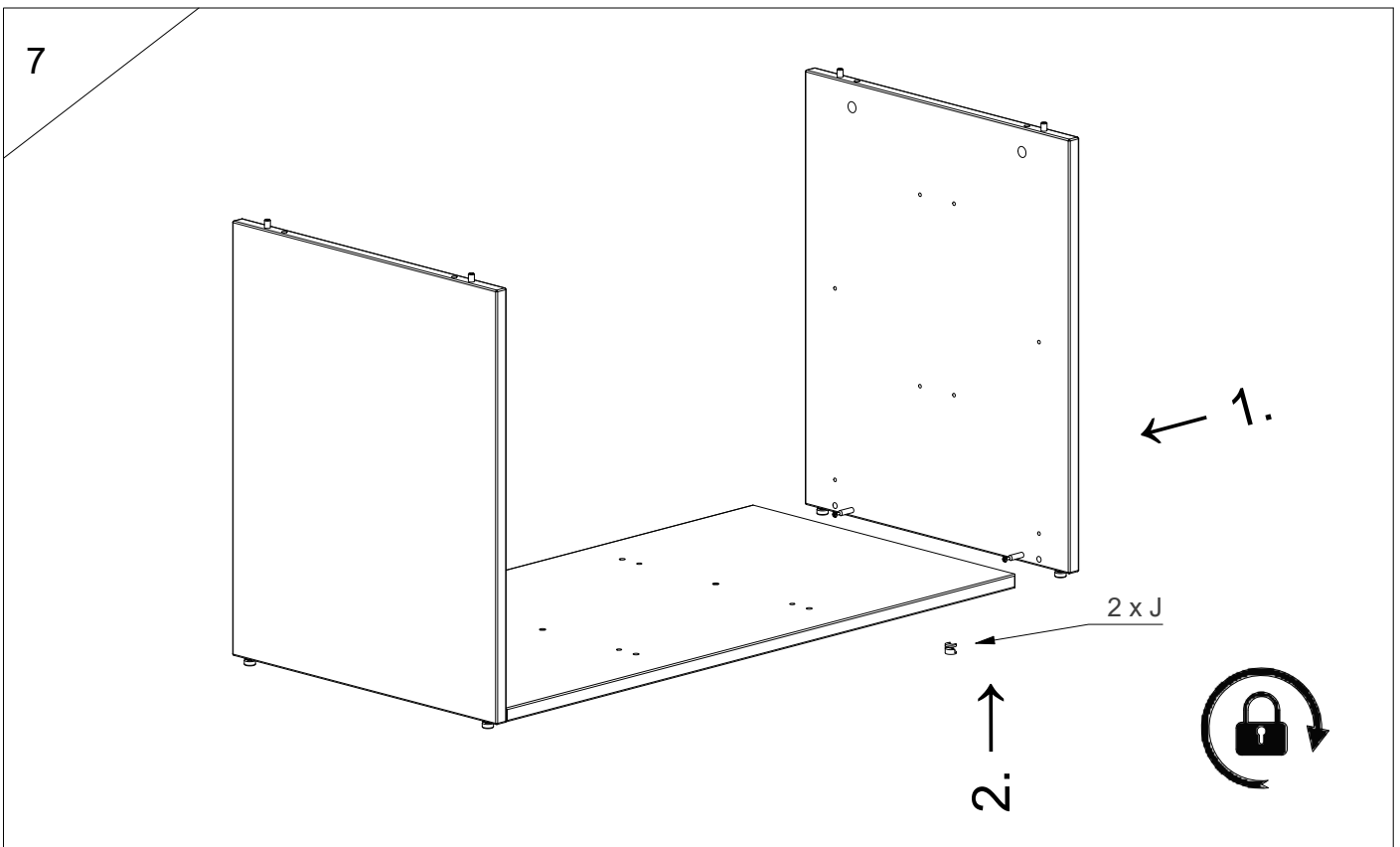
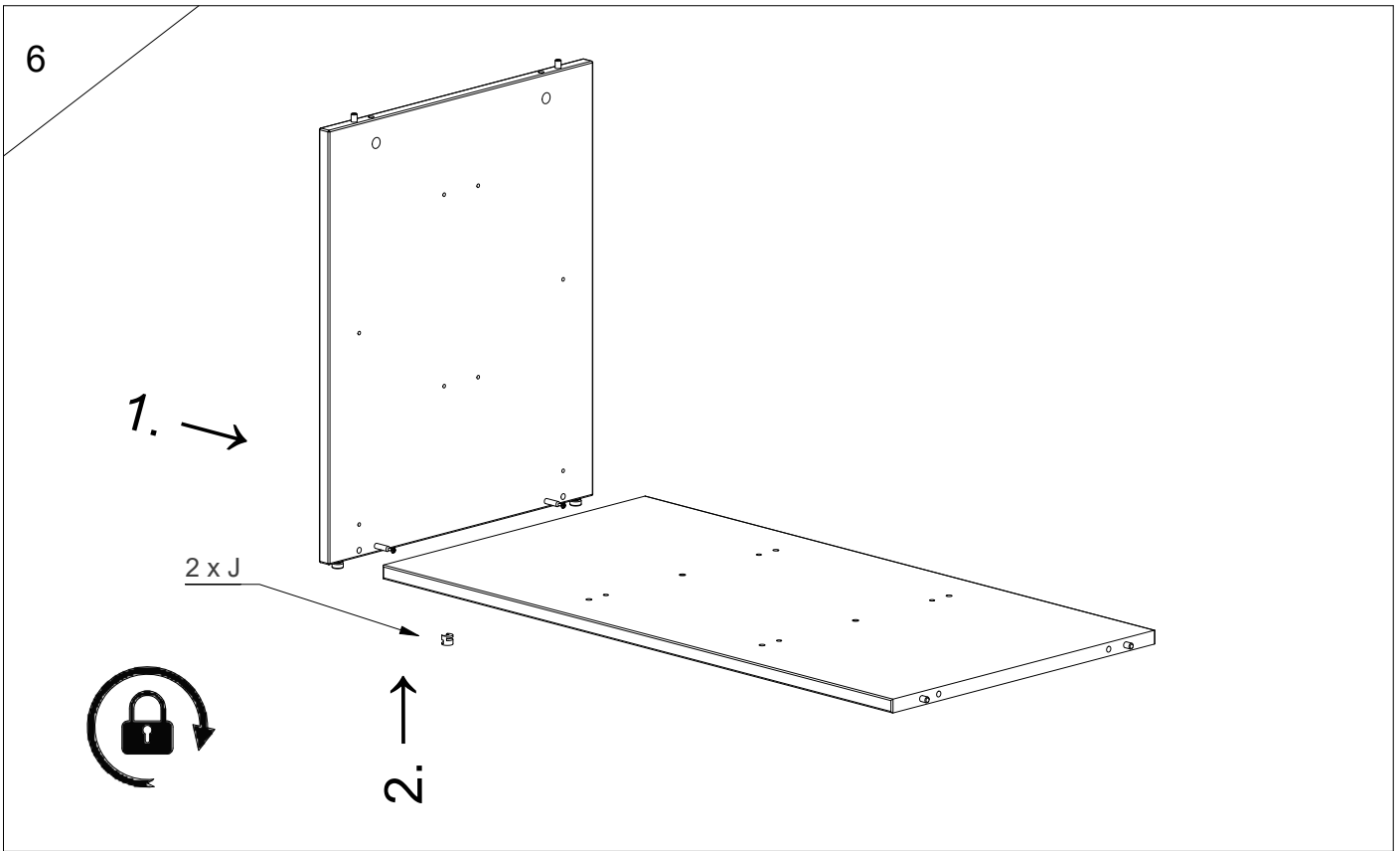


Assembly Guide

WE ARE LIBRARY PEOPLE®



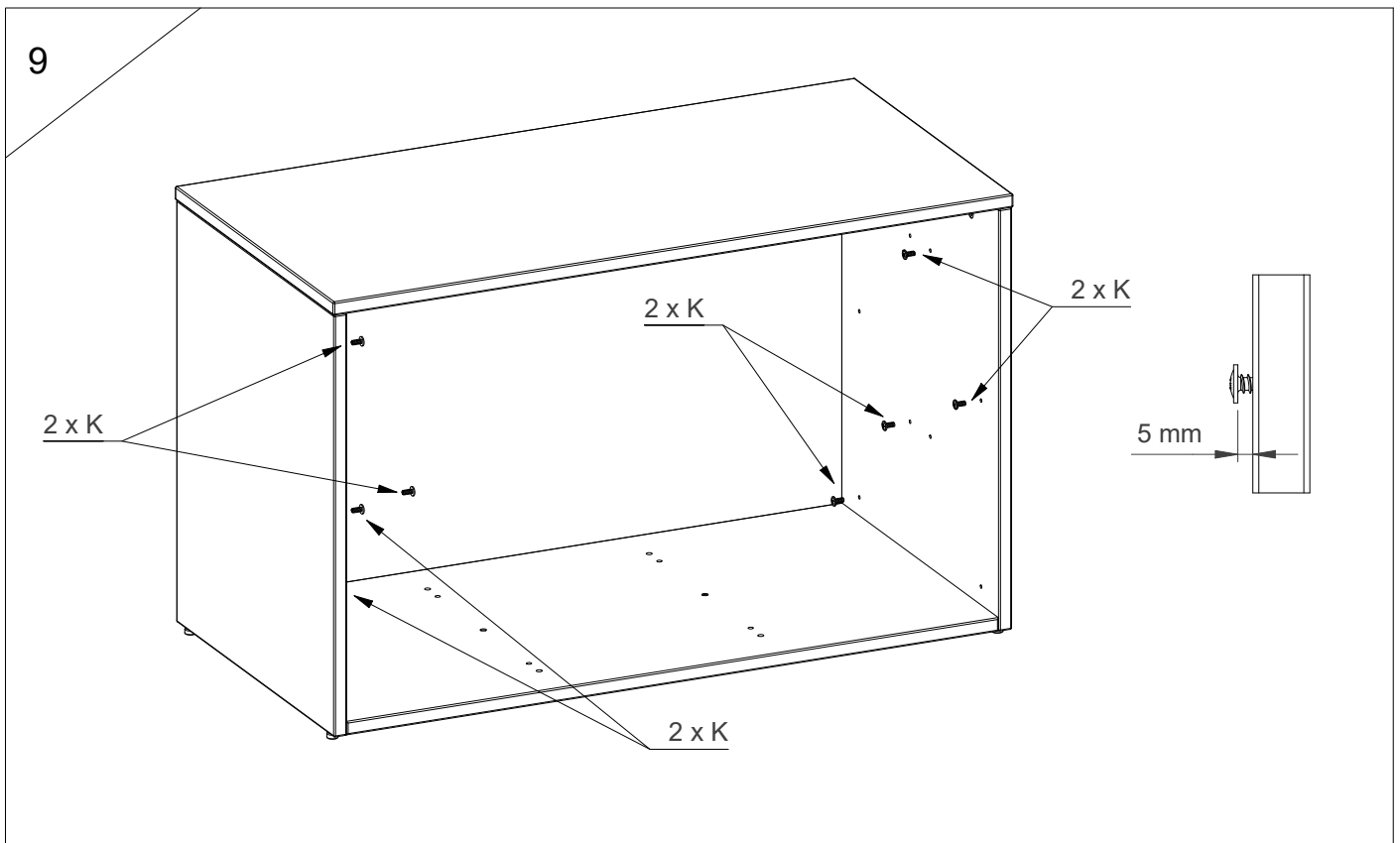
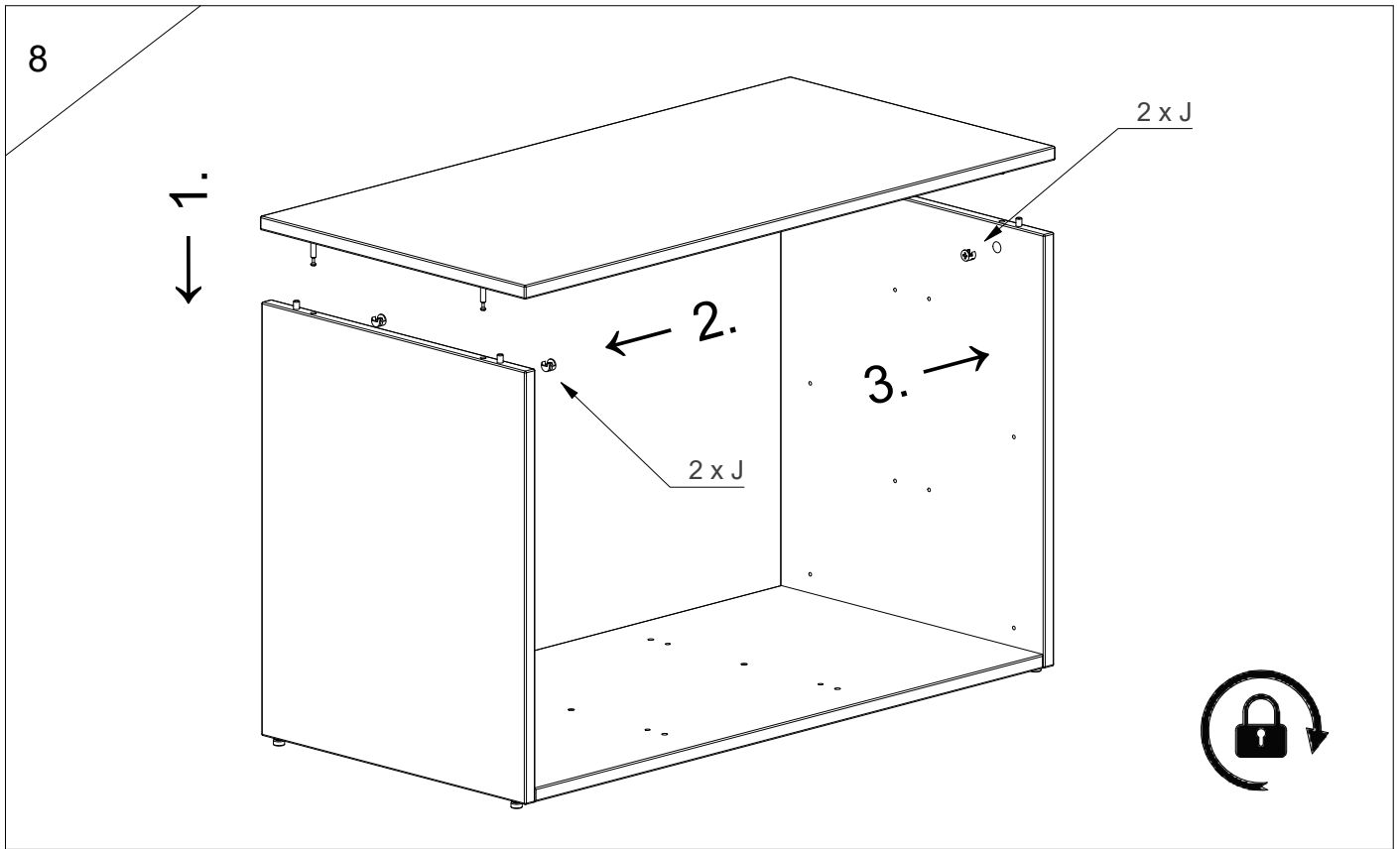
Lena display podium, w. sloping shelves



Assembly Guide



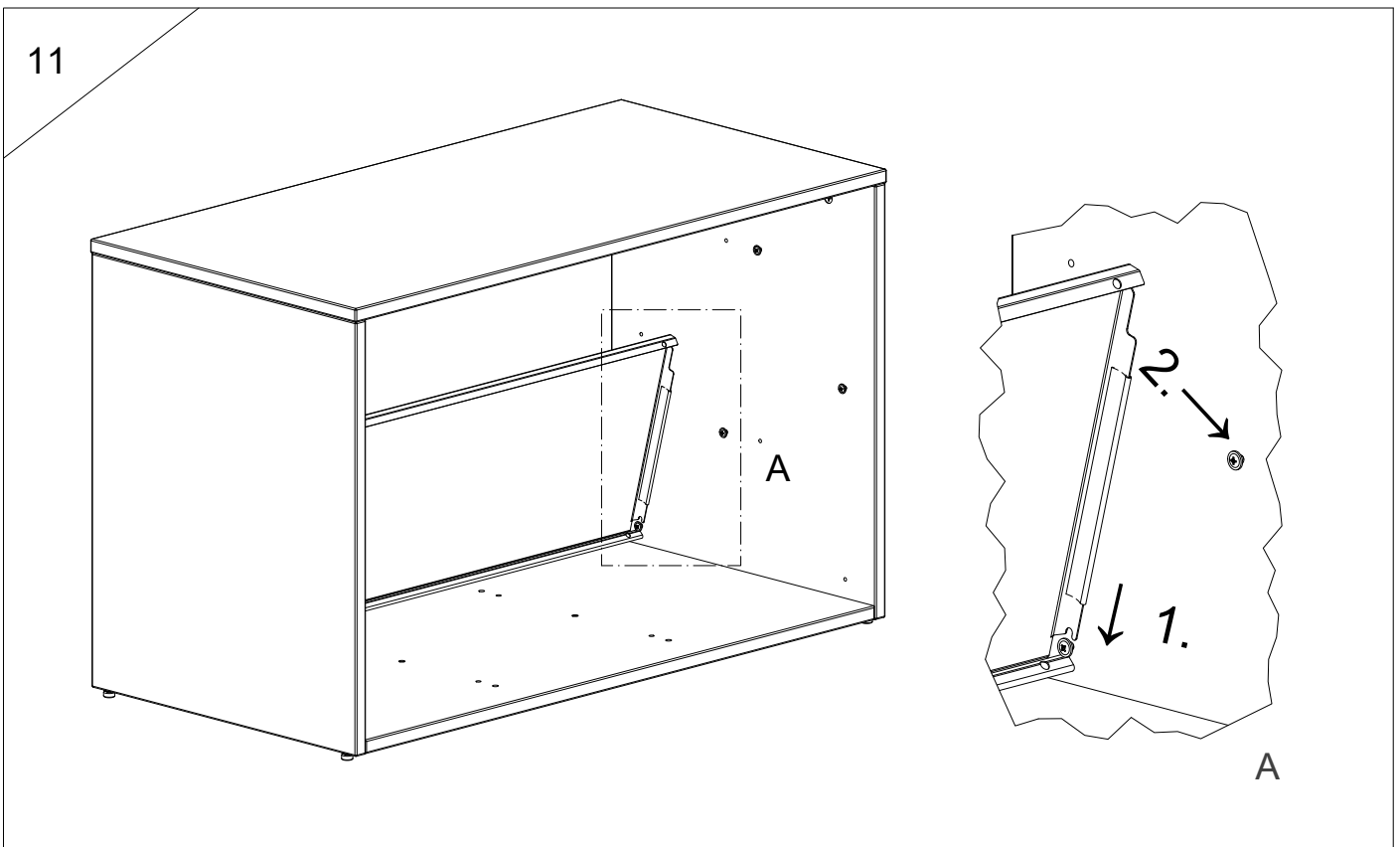
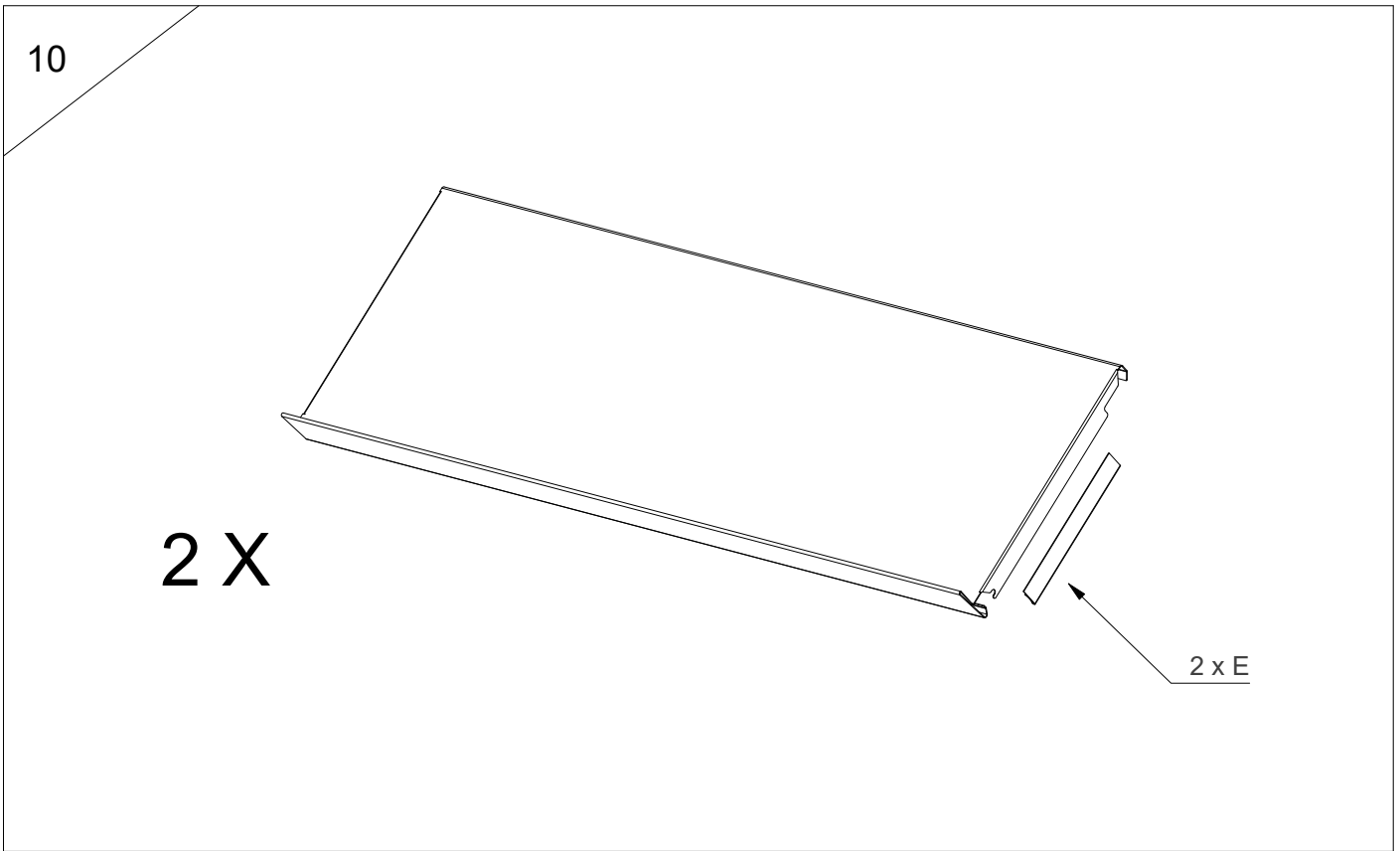
Lena display podium, w. sloping shelves



Assembly Guide



Lena display podium, w. sloping shelves

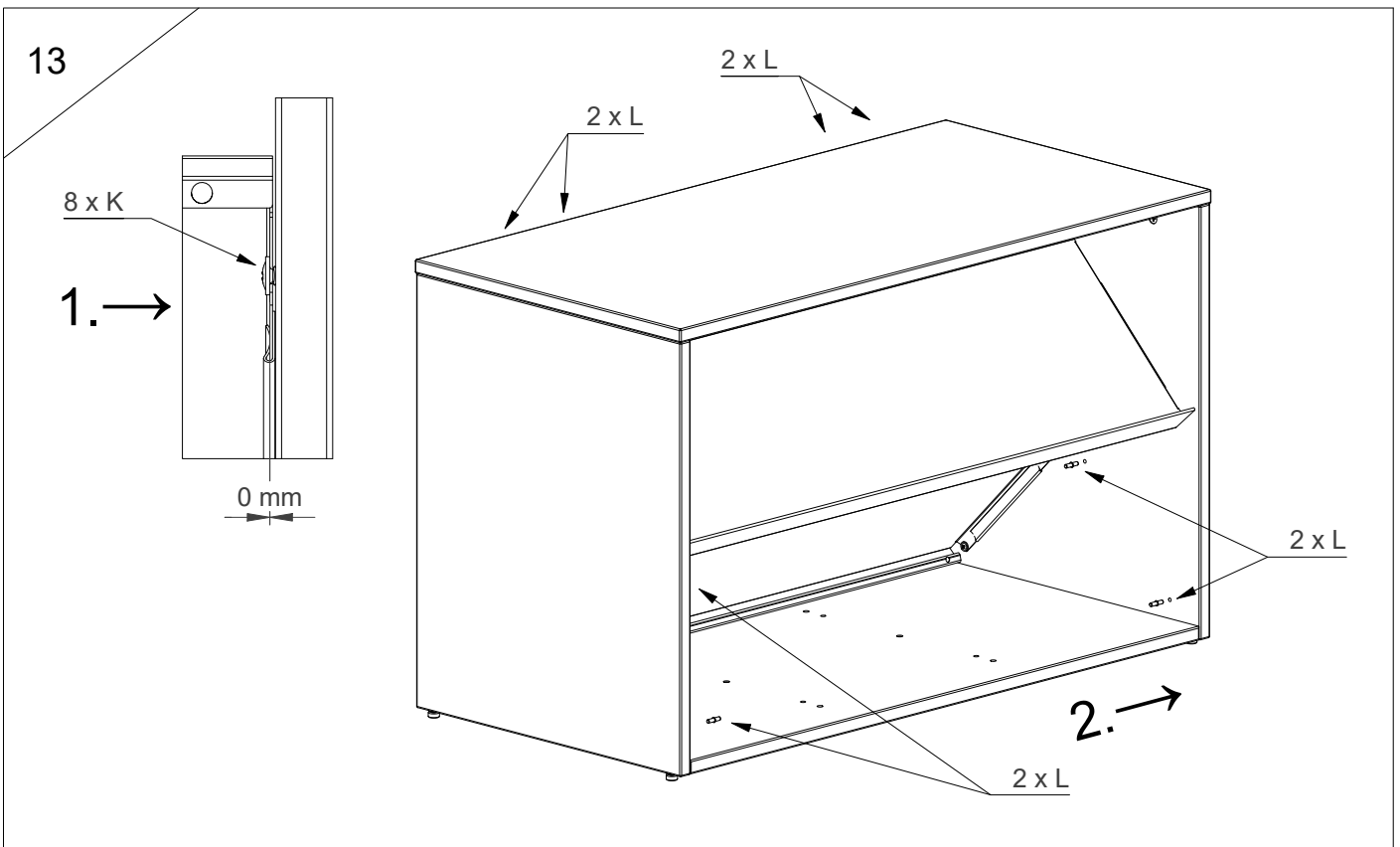
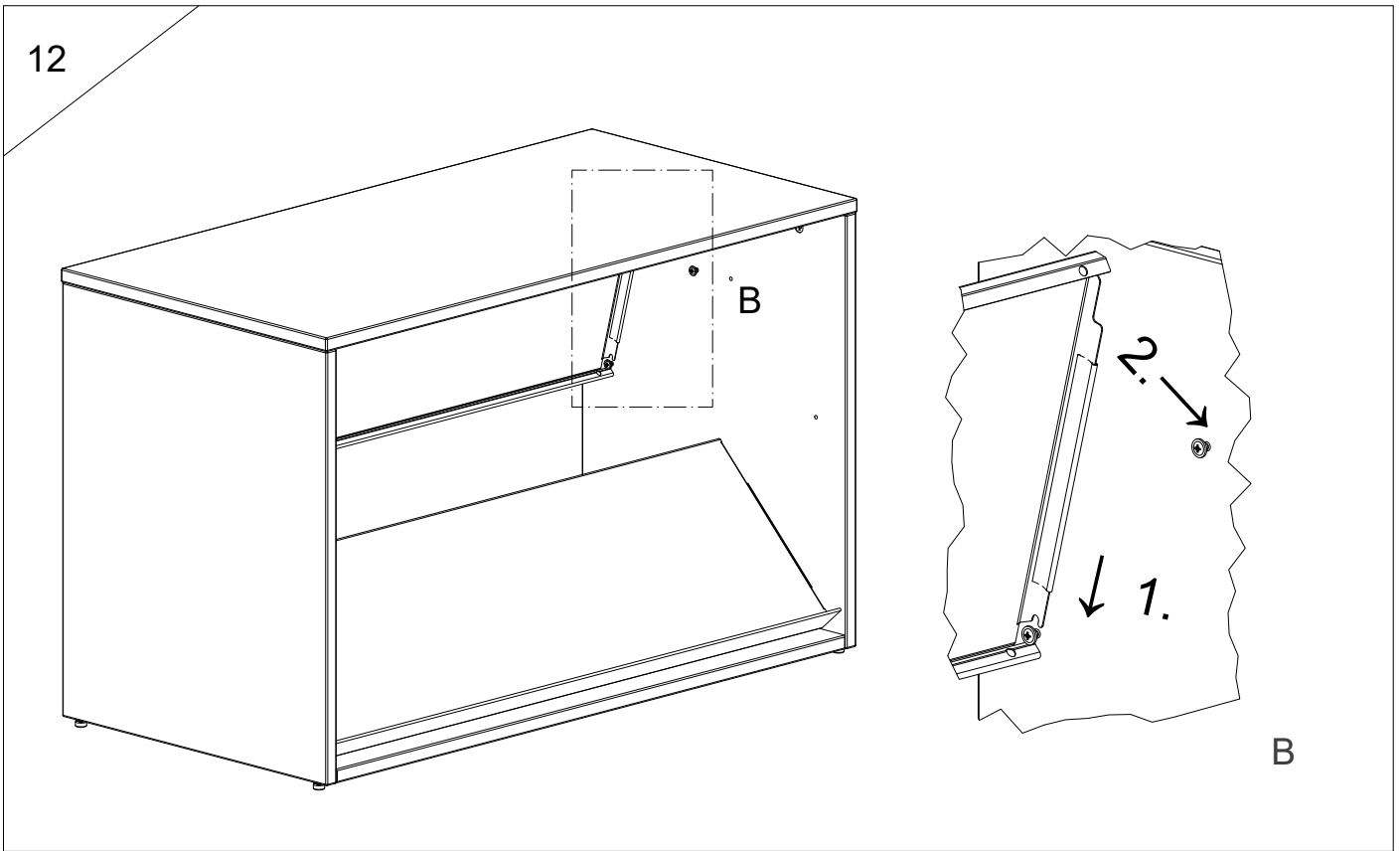


Assembly Guide

WE ARE LIBRARY PEOPLE®



Lena display podium, w. sloping shelves



Assembly Guide

WE ARE LIBRARY PEOPLE®



Lena display podium, w. sloping shelves

